

# MSP Series

## Powered Monitor Speaker

### MSP7 STUDIO



MSP7 STUDIO Rear Panel



### MSP5 STUDIO



MSP5 STUDIO Rear Panel



### SW10 STUDIO



SW10 STUDIO Rear Panel



### MSP3



MSP3 Rear Panel



## Refined Monitoring Precision.

### MSP7 STUDIO

- 2-way bass-reflex bi-amplified near field studio monitor
- 6.5" cone woofer and 1" titanium dome high-frequency unit delivers 45Hz- 40kHz frequency response.
- 130 watts (LF 80W + HF 50W) dynamic bi-amplified power
- XLR balanced input
- Advanced magnetic structure design
- One-piece molded enclosure with rounded baffle
- 31 positions level control facilitates precise overall system level matching
- Low cut switch and trim control (High/Low)
- Full magnetic shielding

#### OPTIONS (MSP7 STUDIO)

BWS50-190/260 Wall Bracket

### MSP5 STUDIO

- 2-way bas-reflex bi-amplified near field studio monitor
- 5" cone woofer and 1" titanium dome high-frequency unit delivers 50Hz- 40kHz frequency response.
- 67 watts (LF 40W + HF 27W) dynamic bi-amplified power
- XLR balanced input and 1/4" unbalanced input
- Advanced magnetic structure design
- One-piece molded enclosure with rounded baffle
- 31 positions level control facilitates precise overall system level matching
- TRIM control(High/Low)
- Full magnetic shielding

#### OPTIONS (MSP5 STUDIO)

BCS20-150/210 Ceiling Bracket

### SW10 STUDIO

- 10" Bass-reflex powered subwoofer delivers solid 25Hz- 150Hz frequency response.
- 180 watts dynamic power
- XLR balanced inputs (L/R/SUBWOOFER)
- XLR balanced outputs(L/R/SUBWOOFER) parallel connection with input signals
- Level control facilitates precise system level controls.
- LPF controls (40-120 Hz, 80Hz at center click)
- Phase switch simplifies phase alignment.
- Full magnetic shielding

### MSP3

- A compact monitoring speaker with high sound quality
- 10 watts dynamic power
- 3 inputs: mic x 1 (phone), line x 2 (phone & RCA)
- Tone control (high/low).
- Line output for expanding your speaker system
- Options for convenient stand or wall mounting (sold separately).

#### OPTIONS (MSP3)

BCS20-150/210  
Ceiling Bracket

BWS20-120/190  
Wall Bracket

BAS10  
Free-Angle Clamp

BMS-10A  
Mic Stand Adaptor

## SPECIFICATIONS

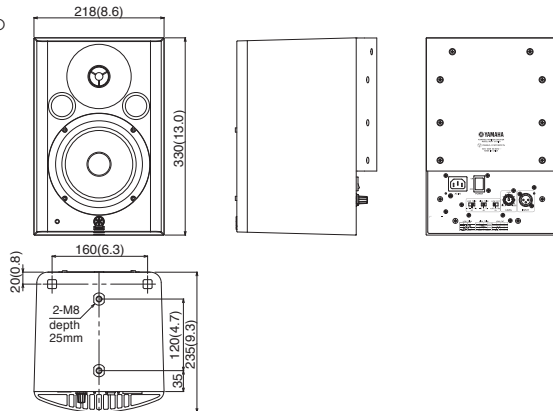
Model		MSP7 STUDIO	MSP5 STUDIO	SW10 STUDIO	MSP3	
<b>GENERAL</b>	<b>Type</b>	Bi-amp 2-way powered speaker	Bi-amp 2-way powered speaker	Powered subwoofer	2-way powered speaker	
	<b>Crossover Frequency</b>	2.5 kHz LF:30dB/oct, HF:30dB/oct	2.5 kHz LF:24dB/oct, HF:24dB/oct	-	4.0kHz	
	<b>Overall Frequency Response</b>	45Hz-40kHz (-10dB)	50Hz-40kHz (-10dB)	25Hz-150Hz (-10dB)	65Hz to 22kHz (-10dB)	
	<b>Maximum Output Level</b>	106dB, 1m on Axis	101dB, 1m on Axis	111dB, 1m on Axis	98dB, 1m on Axis	
	<b>Dimensions (W x H x D)</b>	218 x 330 x 235mm (8.6" x 13.0" x 9.3")	179 x 279 x 208mm (7.0" x 11.0" x 8.2")	328 x 459 x 476mm (12.9" x 18.1" x 18.7")	144 x 236 x 167mm (5.7" x 9.3" x 6.6")	
	<b>Weight</b>	12.2kg (26.9lbs)	7.9kg (17.4lbs)	26.5kg (58.4lbs)	4.4kg (9.7lbs)	
	<b>Magnetic Shielding</b>	Yes	Yes	Yes (None covered type)	Yes	
<b>Speaker Section</b>	<b>Components</b>	<b>LF</b>	6.5" cone	5" cone	10" cone	4" (10cm) cone
		<b>HF</b>	1.0" Titanium dome	1.0" Titanium dome	-	1/8" (2.2cm) dome
	<b>Enclosure</b>	<b>Type</b>	Bass-Reflex	Bass-Reflex	Bass-Reflex	Bass-Reflex
		<b>Material</b>	PP	PP	MDF	PP
<b>Amplifier Section</b>	<b>Output Power*</b>	<b>LF</b>	80W THD = 0.05%, RL = 4Ω	40W THD = 0.02%, RL = 4Ω	180W f = 100Hz, THD = 1%, RL = 8Ω	20W f = 1kHz, THD = 0.1%, RL = 4Ω
		<b>HF</b>	50W THD = 0.05%, RL = 6Ω	27 W THD = 0.02%, RL = 6Ω	-	-
	<b>S/N, IHF-A filter</b>	≥99dB, LEVEL = Max	≥94dB, LEVEL = Max	≥100dB, LEVEL = Max	-10dB/Line1: (RCA phone unbalanced)	
	<b>Input Sensitivity</b>	<b>XLR 3-31</b>	+4dBu, LEVEL = Center -6dBu, LEVEL = Max	+4dBu, LEVEL = Center -6dBu, LEVEL = Max	+4dBu, LEVEL = Center -6dBu, LEVEL = Max	+4dBu / Line2
		<b>PHONE</b>	-	10dBu, LEVEL = Cente -20dBu, LEVEL = Max	-	+4dBu / Line2
	<b>Input Connectors, Impedance</b>	XLR-3-31 (balanced), 10kΩ	XLR-3-31 (balanced), 10kΩ PHONE (unbalanced), 10kΩ	XLR-3-31 x 3 (balanced), 10kΩ	Line1: (RCA phone, unbalanced),10kΩ Line2: (XLR3-31, Phone, balanced, parallel),10kΩ	
	<b>Output Connectors</b>	-	-	XLR-3-32 x 3 (balanced), Parallel connection with input	-	
	<b>Controls</b>	<b>Level Control</b>	31 positions detent type VR (Min = ∞Attenuation)	31 positions detent type VR (Min = ∞Attenuation)	Center click VR (Min = ∞Attenuation)	Level control for Line1 & Line2
		<b>LOW CUT Switch</b>	FLAT/80Hz (12dB/oct)/100Hz (12dB/oct)	-	-	-
		<b>HIGH TRIM</b>	+1.5/0/-1.5dB at 15kHz	+1.5/0/-1.5dB at 15kHz	-	-3.0dB to +3.0dB at 10kHz
		<b>LOW TRIM</b>	+1.5/0/-1.5/-3dB at 45Hz	+1.5/0/-1.5/-3dB at 60Hz	-	-3.0dB to +3.0dB at 100Hz
		<b>POWER Switch</b>	On / Off	On / Off	On / Off	On / Off
		<b>PHASE Switch</b>	-	-	Normal / Reverse	-
		<b>LPF control</b>	-	-	40-120Hz, 80Hz at Center Click	-
		<b>Indicators</b>	<b>LED</b>	Power ON: Green LED Clipping: Red LED	Power ON: Green LED Clipping: Red LED	Power ON: Green LED Clipping: Red LED
	<b>Power Consumption</b>	100W	60W	160W	30W	

\* These specifications apply to rated power supplies of 100, 120, 230 and 240 V.  
\* Specifications and appearance subject to change without notice.

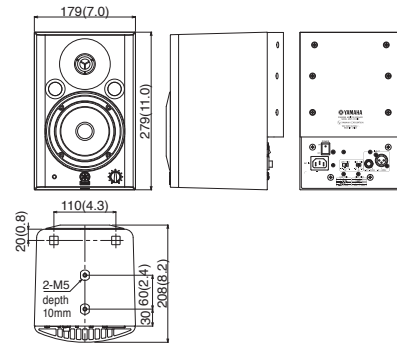
## DIMENSIONS

unit : mm (inch)

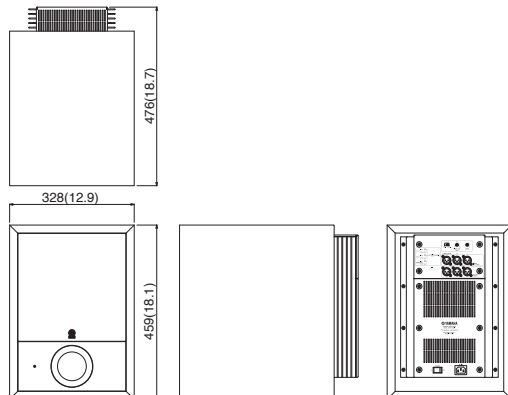
MSP7 STUDIO



MSP5 STUDIO



SW10 STUDIO



MSP3

