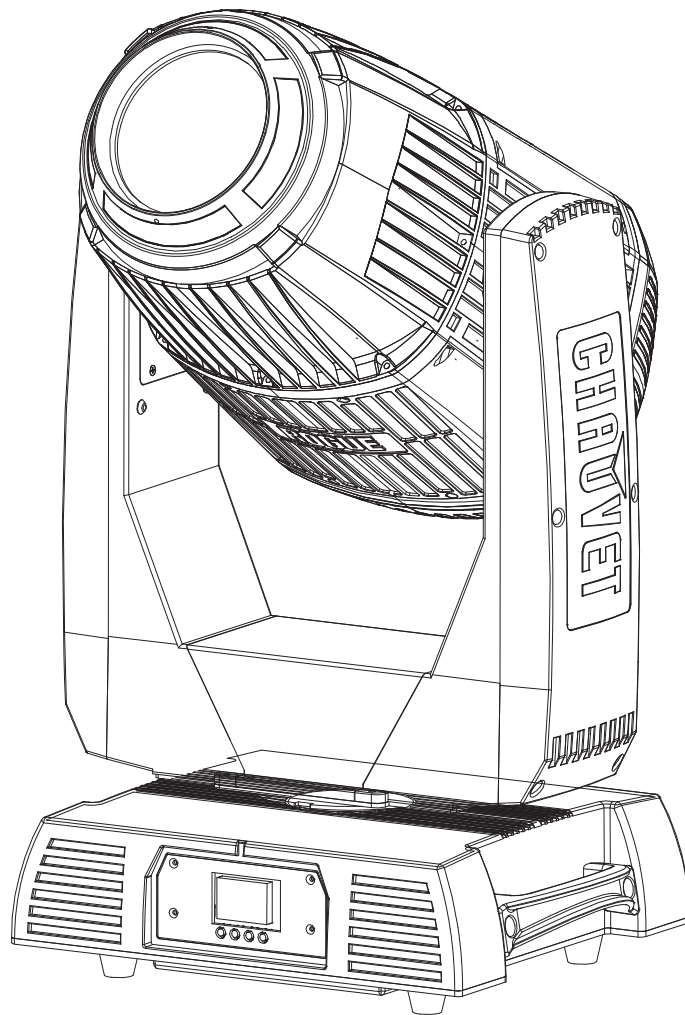


ROGUE

OUTCAST
1 HYBRID

Quick Reference Guide

English	EN
Español	ES
Français	FR
Deutsch	DE
Nederlands	NL




CHAUVET
PROFESSIONAL

About This Guide

The Rogue Outcast 1 Hybrid Quick Reference Guide (QRG) has basic product information such as connection, mounting, menu options, and DMX values. Download the User Manual from www.chauvetprofessional.com for more details.

Disclaimer

The information and specifications contained in this QRG are subject to change without notice.

LIMITED WARRANTY

FOR WARRANTY REGISTRATION AND COMPLETE TERMS AND CONDITIONS PLEASE VISIT OUR WEBSITE.

For Customers in the United States and Mexico: www.chauvetlighting.com/warranty-registration.

For Customers in the United Kingdom, Republic of Ireland, Belgium, the Netherlands, Luxembourg, France, and Germany: www.chauvetlighting.eu/warranty-registration.

Chauvet warrants that this product shall be free from defects in material and workmanship under normal use, for the period specified in, and subject to the exclusions and limitations set forth in the full limited warranty on our website. This warranty extends only to the original purchaser of the product and is not transferable. To exercise rights under this warranty, you must provide proof of purchase in the form of an original sales receipt from an authorized dealer that shows the product name and date of purchase. THERE ARE NO OTHER EXPRESS OR IMPLIED WARRANTIES. This warranty gives you specific legal rights. You may also have other rights that vary from state to state and country to country. This warranty is valid only in the United States, United Kingdom, Republic of Ireland, Belgium, the Netherlands, Luxembourg, France, Germany and Mexico. For warranty terms in other countries, please consult your local distributor.

Safety Notes

These Safety Notes include important information about installation, use, and maintenance.

- DO NOT open this product. It contains no user-serviceable parts.
- DO NOT submerge this product. Temporary outdoor operation is fine (IP65).
- DO NOT look at the light source when the product is on.
- To eliminate unnecessary wear and improve its lifespan, during periods of non-use completely disconnect the product from power via breaker or by unplugging it.
- CAUTION: When transferring product from extreme temperature environments, (e.g., cold truck to warm humid ballroom) condensation may form on the internal electronics of the product. To avoid causing a failure, allow product to fully acclimate to the surrounding environment before connecting it to power.
- CAUTION: This product's housing may be hot when lights are operating.
- Mount this product in a location with adequate ventilation, at least 20 in (50 cm) from adjacent surfaces.
- DO NOT leave any flammable material within 50 cm of this product while operating or connected to power.
- USE a safety cable when mounting this product overhead.
- DO NOT operate this product if the housing, lenses, or cables appear damaged.
- DO NOT connect this product to a dimmer or rheostat.
- ONLY connect this product to a grounded and protected circuit.
- ONLY use the hanging/mounting bracket or the handles to carry this product. Do not carry by the moving head.
- In the event of a serious operating problem, stop using immediately.
- The maximum ambient temperature is 113 °F (45 °C). Do not operate this product at higher temperatures.

Contact

Outside the U.S., U.K., Ireland, Benelux, France, Germany, or Mexico, contact your distributor to request support or return a product. Refer to [Contact Us](#) at the end of this QRG for contact information.

What is Included

- Rogue Outcast 1 Hybrid
- Seetronic Powerkon IP65 power cord
- 2 Omega brackets with mounting hardware
- Quick Reference Guide

AC Power

This product has an auto-ranging power supply that can work with an input voltage range of 100–240 VAC, 50/60 Hz.

AC Plug

Connection	Wire (U.S.)	Wire (Europe)	Screw Color
AC Live	Black	Brown	Yellow/Brass
AC Neutral	White	Blue	Silver
AC Ground	Green/Yellow	Green/Yellow	Green



To eliminate unnecessary wear and improve its lifespan, during periods of non-use completely disconnect the product from power via breaker or by unplugging it.

Replacing the Fuse

1. Disconnect the product from power.
2. Using a flat head screwdriver, unscrew the fuse holder cap from the housing.
3. Remove blown fuse and replace with a good fuse of the same type and rating (T 8 A, 250 V).
4. Screw the fuse holder cap back in place and reconnect power.

DMX Linking

The Rogue Outcast 1 Hybrid will work with a DMX controller using a 5-pin IP-rated DMX serial connection. A DMX Primer is available from www.chauvetprofessional.com.

DMX Connection

The Rogue Outcast 1 Hybrid uses a 5-pin IP-rated DMX data connection for its DMX personalities: **20CH** and **25CH**. See the User Manual for information about connecting and configuring the product for DMX operation.

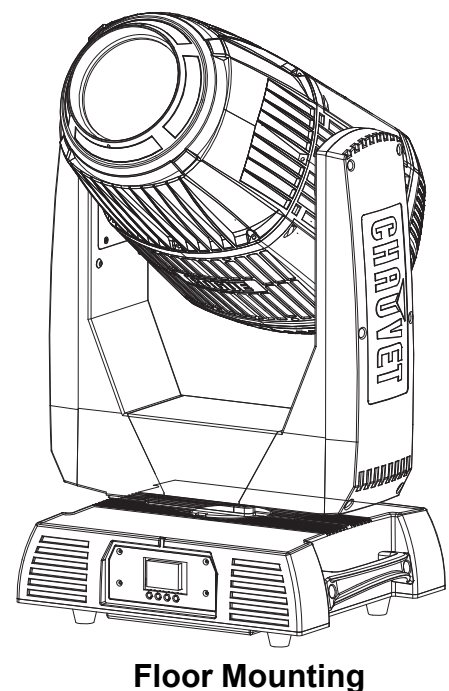
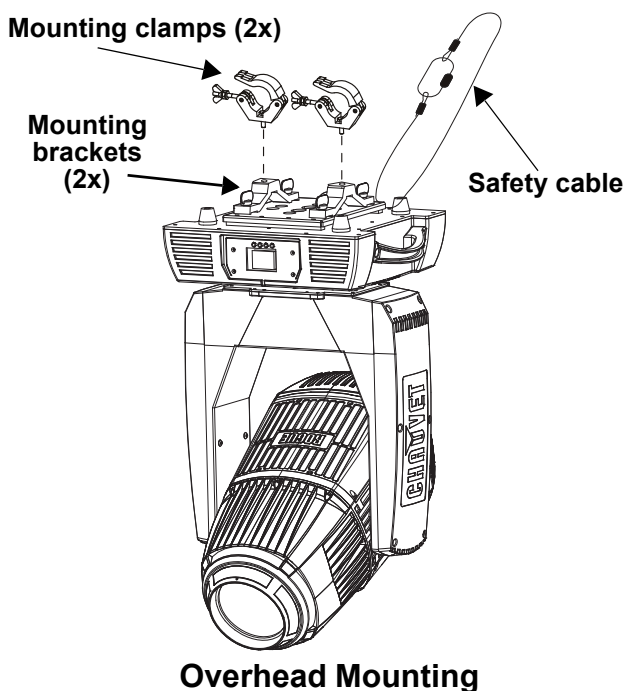
RDM (Remote Device Management)

Remote Device Management, or RDM, is a standard for allowing DMX-enabled devices to communicate bi-directionally along existing DMX cabling. Check the DMX controller's User Manual or with the manufacturer as not all DMX controllers have this capability. The Rogue Outcast 1 Hybrid supports RDM protocol that allows feedback to make changes to menu map options. Download the User Manual from www.chauvetprofessional.com for more details.

Mounting

Before mounting this product, read the [Safety Notes](#). Use at least one mounting point per product. Make sure the mounting clamps are capable of supporting the weight of the product. For our Chauvet line of mounting clamps, go to <http://trusst.com/productcategory/truss-clamps/>.

Mounting Diagram



Control Panel Description

Button	Function
<MENU>	Exits from the current menu or function
<ENTER>	Enables the currently displayed menu or sets the currently selected value into the selected function
<UP>	Navigates upwards through the menu list and increases the numeric value when in a function
<DOWN>	Navigates downwards through the menu list and decreases the numeric value when in a function

Menu Map

Main Level	Programming Levels		Description
Address	001–512		Sets the starting address
Run Mode	DMX	20CH	Selects the DMX personality
		25CH	
	Auto Test		Auto test all functions
	Manual Test	Pan Pan Fine Tilt Tilt Fine P/T Speed Dimmer Dimmer Fine Shutter Color Gobo 2 Gobo Gobo Rotate Focus Focus Fine Zoom Zoom Fine Prism1 Prism1 Rotate Prism2 Prism2 Rotate Frost1 Frost2 P/T Macro P/T Ma. Speed Special Function	0–255
Setup	Pan Reverse	YES	Reversed pan
		NO	Normal pan
	Tilt Reverse	YES	Reversed tilt
		NO	Normal tilt
	Screen Reverse	YES	Inverted screen display
		NO	Normal screen display
		AUT	Automatic screen display
	Pan Angle	540	540° pan range
		360	360° pan range
		180	180° pan range
	Tilt Angle	260	260° tilt range
		180	180° tilt range
90		90° tilt range	

Main Level	Programming Levels		Description	
Setup (continuation)	BL. O. P/T Move	YES	Blackout while panning/tilting	
		NO	Disable blackout while panning/tilting	
	BL. O. Color Move	YES	Blackout while color wheel is moving	
		NO	Disable blackout while color wheel is moving	
	BL. O. Gobo Move	YES	Blackout while gobo wheels are moving	
		NO	Disable blackout while gobo wheels are moving	
	Lamp Settings	On/Off	YES	Turns lamp on/off
			NO	
		State/ Power On	YES	Defines the status of lamp when powering up product
			NO	
		Off via DMX	YES	Turns off the unit via DMX controller
			NO	
		On if DMX On	YES	Turns lamp on when DMX signal is detected
			NO	
		Off if DMX Off	YES	Turns lamp off when DMX signal is lost
	NO			
	Ignition Delay	0-255	Selects duration of delay between product power on and lamp power on	
	Low Power Delay	0-255	Selects the duration of delay when shutter is closed and lamp enters lower power state	
	Reset Lamp Time	YES	Resets lamp timer to 0	
		NO	Leaves lamp time unchanged	
	Maintenance Timer	Interval	10-250	Defines amount of hours between maintenance
		Remain Time	10-250	Shows amount of time remaining in maintenance cycle
	Reset Function	Pan/Tilt	YES/NO	Reset individual functions or all functions from start-up
Shutter/ Prism				
Color				
Gobo				
Zoom/ Frost/ Focus				
All				
Factory Settings	YES	Reset to factory default settings		
	NO			
Sys Info	Display Ver	V_	Shows display version	
	PanTilt Ver	V_	Shows pan/tilt version	
	Prism Ver	V_	Shows prism version	
	Gobo Ver	V_	Shows gobo version	
	Other Ver	V_	Shows other version	
	Running Mode	---	Shows current running mode	
	DMX Address	---	Shows current DMX address	
	Lamp On Time	----	Shows lamp on time	
	Remain Time	----	Shows lamp maintenance time	
	Temperature1	---	Shows the product's temperature in °C	
	Temperature2	---		
	Voltage	---	Shows lamp voltage	
	Current	---	Shows lamp current	
	Power	---	Shows lamp power	
	Fan Speed	---	Shows fan speed	
Fan 1-5	---	Shows speed of fans 1-5		
UID	-----	Shows UID information		

QUICK REFERENCE GUIDE



EN

DMX Values 25CH

Channel	Function	Value	Percent/Setting
1	Pan	000 ⇔ 255	0–100%
2	Pan fine	000 ⇔ 255	Fine control (16-bit)
3	Tilt	000 ⇔ 255	0–100%
4	Tilt fine	000 ⇔ 255	Fine control (16-bit)
5	Pan/tilt speed	000 ⇔ 255	Fast to slow
6	Dimmer	000 ⇔ 255	0–100%
7	Dimmer fine	000 ⇔ 255	Fine control (16-bit)
8	Strobe	000 ⇔ 007	No function
		008 ⇔ 015	On
		016 ⇔ 131	Synchronized strobe, slow to fast
		132 ⇔ 167	Fast off, slow on (slow to fast)
		168 ⇔ 203	Slow off, fast on (slow to fast)
		204 ⇔ 239	Pulse strobe, slow to fast
		240 ⇔ 247	Random strobe, slow to fast
9	Color wheel	000 ⇔ 003	Open
		004 ⇔ 007	Red
		008 ⇔ 011	Orange
		012 ⇔ 015	Cyan
		016 ⇔ 019	Light green
		020 ⇔ 023	Light yellow
		024 ⇔ 027	Green
		028 ⇔ 031	Magenta
		032 ⇔ 035	Dark blue
		036 ⇔ 039	Dark yellow
		040 ⇔ 043	Blue
		044 ⇔ 047	CTO 5600K
		048 ⇔ 051	CTO 6500K
		052 ⇔ 059	UV
		060 ⇔ 187	Split colors
188 ⇔ 219	Clockwise color scroll, fast to slow		
220 ⇔ 223	Stop		
224 ⇔ 255	Counterclockwise color scroll, slow to fast		
10	Gobo wheel 1 (see Gobo Wheels)	000 ⇔ 003	Open
		004 ⇔ 006	Gobo 1
		007 ⇔ 009	Gobo 2
		010 ⇔ 012	Gobo 3
		013 ⇔ 015	Gobo 4
		016 ⇔ 018	Gobo 5
		019 ⇔ 021	Gobo 6
		022 ⇔ 024	Gobo 7
		025 ⇔ 027	Gobo 8
		028 ⇔ 030	Gobo 9
		031 ⇔ 033	Gobo 10
		034 ⇔ 036	Gobo 11
		037 ⇔ 039	Gobo 12
		040 ⇔ 042	Gobo 13
		043 ⇔ 059	Open

Channel	Function	Value	Percent/Setting
10	Gobo wheel 1 (continuation)	060 ⇄ 063	Gobo 1 shaking, slow to fast
		064 ⇄ 067	Gobo 2 shaking, slow to fast
		068 ⇄ 071	Gobo 3 shaking, slow to fast
		072 ⇄ 075	Gobo 4 shaking, slow to fast
		076 ⇄ 079	Gobo 5 shaking, slow to fast
		080 ⇄ 083	Gobo 6 shaking, slow to fast
		084 ⇄ 087	Gobo 7 shaking, slow to fast
		088 ⇄ 091	Gobo 8 shaking, slow to fast
		092 ⇄ 095	Gobo 9 shaking, slow to fast
		096 ⇄ 099	Gobo 10 shaking, slow to fast
		100 ⇄ 103	Gobo 11 shaking, slow to fast
		104 ⇄ 107	Gobo 12 shaking, slow to fast
		108 ⇄ 111	Gobo 13 shaking, slow to fast
		112 ⇄ 127	Open
		128 ⇄ 189	Clockwise gobo scroll, fast to slow
		190 ⇄ 193	Stop
194 ⇄ 255	Counterclockwise gobo scroll, slow to fast		
11	Gobo wheel 2 (see Gobo Wheels)	001 ⇄ 005	Open (aperture sets to Spot mode)
		006 ⇄ 011	Gobo 1
		012 ⇄ 017	Gobo 2
		018 ⇄ 023	Gobo 3
		024 ⇄ 029	Gobo 4
		030 ⇄ 035	Gobo 5
		036 ⇄ 041	Gobo 6
		042 ⇄ 047	Gobo 7
		048 ⇄ 053	Gobo 8
		054 ⇄ 063	Gobo 9
		064 ⇄ 073	Gobo 1 shaking, slow to fast
		074 ⇄ 079	Gobo 2 shaking, slow to fast
		080 ⇄ 085	Gobo 3 shaking, slow to fast
		086 ⇄ 091	Gobo 4 shaking, slow to fast
		092 ⇄ 097	Gobo 5 shaking, slow to fast
		098 ⇄ 103	Gobo 6 shaking, slow to fast
		104 ⇄ 109	Gobo 7 shaking, slow to fast
		110 ⇄ 115	Gobo 8 shaking, slow to fast
		116 ⇄ 121	Gobo 9 shaking, slow to fast
		122 ⇄ 127	Open
128 ⇄ 191	Clockwise gobo scroll, fast to slow		
192 ⇄ 255	Counterclockwise gobo scroll, slow to fast		
12	Gobo wheel 2 rotate	000 ⇄ 063	Gobo index
		064 ⇄ 147	Clockwise rotation, slow to fast
		148 ⇄ 231	Counterclockwise rotation, fast to slow
		232 ⇄ 255	Alternating clockwise/counterclockwise rotation, slow to fast
13	Focus	000 ⇄ 255	0–100%
14	Focus fine	000 ⇄ 255	Fine control (16-bit)
15	Zoom	000 ⇄ 255	0–100%
16	Zoom fine	000 ⇄ 255	Fine control (16-bit)
17	Prism 1	000 ⇄ 004	No function
		005 ⇄ 255	Prism insert
18	Prism 1 rotate	000 ⇄ 127	Prism index
		128 ⇄ 189	Clockwise rotation, fast to slow
		190 ⇄ 193	Stop
		194 ⇄ 255	Counterclockwise rotation, slow to fast

QUICK REFERENCE GUIDE



EN

Channel	Function	Value	Percent/Setting
19	Prism 2	000 ⇔ 004	No function
		005 ⇔ 255	Prism index
20	Prism 2 rotate	000 ⇔ 127	Prism index
		128 ⇔ 189	Clockwise rotation, fast to slow
		190 ⇔ 193	Stop
		194 ⇔ 255	Counterclockwise rotation, slow to fast
21	Frost	000 ⇔ 255	0–100%
22	Beam defraction	000 ⇔ 007	No function
		008 ⇔ 255	Frost effect
23	Movement macros	000 ⇔ 007	No function
		008 ⇔ 015	Effect 1
		016 ⇔ 023	Effect 2
		024 ⇔ 031	Effect 3
		032 ⇔ 039	Effect 4
		040 ⇔ 047	Effect 5
		048 ⇔ 055	Effect 6
		056 ⇔ 063	Effect 7
		064 ⇔ 071	Effect 8
		072 ⇔ 079	Effect 9
		080 ⇔ 087	Effect 10
		088 ⇔ 095	Effect 11
		096 ⇔ 103	Effect 12
		104 ⇔ 111	Effect 13
		112 ⇔ 119	Effect 14
		120 ⇔ 127	Effect 15
		128 ⇔ 135	Effect 16
		136 ⇔ 143	Effect 17
		144 ⇔ 151	Effect 18
		152 ⇔ 159	Effect 19
		160 ⇔ 167	Effect 20
		168 ⇔ 175	Effect 21
		176 ⇔ 183	Effect 22
		184 ⇔ 191	Effect 23
		192 ⇔ 199	Effect 24
		200 ⇔ 207	Effect 25
		208 ⇔ 215	Effect 26
		216 ⇔ 223	Effect 27
		224 ⇔ 231	Effect 28
		232 ⇔ 239	Effect 29
		240 ⇔ 247	Effect 30
248 ⇔ 255	Effect 31		
24	Movement macro speed	000 ⇔ 255	Fast to slow

Channel	Function	Value	Percent/Setting
25	Control	000 ⇔ 009	No function
		010 ⇔ 019	Defogging fan on, slow to fast
		020 ⇔ 029	Defogging fan off
		030 ⇔ 039	Dimmer conventional mode
		040 ⇔ 049	Dimmer linear mode
		050 ⇔ 059	Pan/tilt fast mode
		060 ⇔ 069	Pan/tilt normal mode
		070 ⇔ 079	Blackout during pan/tilt (3 sec hold)
		080 ⇔ 089	Disable pan/tilt blackout (3 sec hold)
		090 ⇔ 099	Blackout while color wheel is moving (3 sec hold)
		100 ⇔ 109	Disable color wheel blackout (3 sec hold)
		110 ⇔ 119	Blackout while gobo wheels are moving (3 sec hold)
		120 ⇔ 129	Disable gobo wheel blackout (3 sec hold)
		130 ⇔ 139	Lamp on
		140 ⇔ 149	Pan/tilt reset
		150 ⇔ 159	Color wheel reset
		160 ⇔ 169	Gobo wheel reset
		170 ⇔ 179	Strobe/prism reset
		180 ⇔ 189	No function
		190 ⇔ 199	Frost/focus/zoom reset
		200 ⇔ 209	All reset
		210 ⇔ 219	Blackout all function during pan/tilt
		220 ⇔ 229	Disable blackout all function during pan/tilt
		230 ⇔ 239	Lamp off
		240 ⇔ 247	Pan/tilt smooth mode on
		248 ⇔ 255	Pan/tilt smooth mode off

QUICK REFERENCE GUIDE



EN

20CH

Channel	Function	Value	Percent/Setting
1	Pan	000 ⇔ 255	0–100%
2	Pan fine	000 ⇔ 255	Fine control (16-bit)
3	Tilt	000 ⇔ 255	0–100%
4	Tilt fine	000 ⇔ 255	Fine control (16-bit)
5	Pan/tilt speed	000 ⇔ 255	Fast to slow
6	Dimmer	000 ⇔ 255	0–100%
7	Shutter	000 ⇔ 007	No function
		008 ⇔ 015	On
		016 ⇔ 131	Synchronized strobe, slow to fast
		132 ⇔ 167	Fast off, slow on (slow to fast)
		168 ⇔ 203	Slow off, fast on (slow to fast)
		204 ⇔ 239	Pulse strobe, slow to fast
		240 ⇔ 247	Random strobe, slow to fast
		248 ⇔ 255	On
8	Color wheel	000 ⇔ 003	Open
		004 ⇔ 007	Red
		008 ⇔ 011	Orange
		012 ⇔ 015	Cyan
		016 ⇔ 019	Light green
		020 ⇔ 023	Light yellow
		024 ⇔ 027	Green
		028 ⇔ 031	Magenta
		032 ⇔ 035	Dark blue
		036 ⇔ 039	Dark yellow
		040 ⇔ 043	Blue
		044 ⇔ 047	CTO 5600K
		048 ⇔ 051	CTO 6500K
		052 ⇔ 059	UV
		060 ⇔ 187	Split colors
		188 ⇔ 219	Clockwise color scroll, fast to slow
220 ⇔ 223	Stop		
224 ⇔ 255	Counterclockwise color scroll, slow to fast		
9	Gobo wheel 1 (see Gobo Wheels)	000 ⇔ 003	Open
		004 ⇔ 006	Gobo 1
		007 ⇔ 009	Gobo 2
		010 ⇔ 012	Gobo 3
		013 ⇔ 015	Gobo 4
		016 ⇔ 018	Gobo 5
		019 ⇔ 021	Gobo 6
		022 ⇔ 024	Gobo 7
		025 ⇔ 027	Gobo 8
		028 ⇔ 030	Gobo 9
		031 ⇔ 033	Gobo 10
		034 ⇔ 036	Gobo 11
		037 ⇔ 039	Gobo 12
		040 ⇔ 042	Gobo 13
		043 ⇔ 059	Open

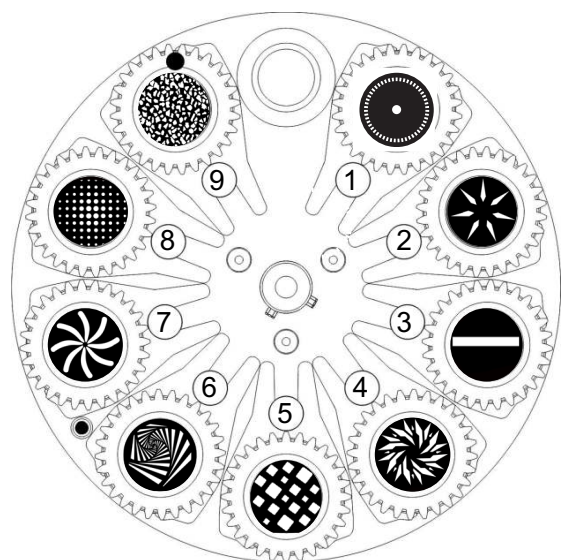
Channel	Function	Value	Percent/Setting
9	Gobo wheel 1 (continuation)	060 ⇔ 063	Gobo 1 shaking, slow to fast
		064 ⇔ 067	Gobo 2 shaking, slow to fast
		068 ⇔ 071	Gobo 3 shaking, slow to fast
		072 ⇔ 075	Gobo 4 shaking, slow to fast
		076 ⇔ 079	Gobo 5 shaking, slow to fast
		080 ⇔ 083	Gobo 6 shaking, slow to fast
		084 ⇔ 087	Gobo 7 shaking, slow to fast
		088 ⇔ 091	Gobo 8 shaking, slow to fast
		092 ⇔ 095	Gobo 9 shaking, slow to fast
		096 ⇔ 099	Gobo 10 shaking, slow to fast
		100 ⇔ 103	Gobo 11 shaking, slow to fast
		104 ⇔ 107	Gobo 12 shaking, slow to fast
		108 ⇔ 111	Gobo 13 shaking, slow to fast
		112 ⇔ 127	Open
		128 ⇔ 189	Clockwise gobo scroll, fast to slow
		190 ⇔ 193	Stop
194 ⇔ 255	Counterclockwise gobo scroll, slow to fast		
10	Gobo wheel 2 (see Gobo Wheels)	001 ⇔ 005	Open (aperture sets to Spot mode)
		006 ⇔ 011	Gobo 1
		012 ⇔ 017	Gobo 2
		018 ⇔ 023	Gobo 3
		024 ⇔ 029	Gobo 4
		030 ⇔ 035	Gobo 5
		036 ⇔ 041	Gobo 6
		042 ⇔ 047	Gobo 7
		048 ⇔ 053	Gobo 8
		054 ⇔ 063	Gobo 9
		064 ⇔ 073	Gobo 1 shaking, slow to fast
		074 ⇔ 079	Gobo 2 shaking, slow to fast
		080 ⇔ 085	Gobo 3 shaking, slow to fast
		086 ⇔ 091	Gobo 4 shaking, slow to fast
		092 ⇔ 097	Gobo 5 shaking, slow to fast
		098 ⇔ 103	Gobo 6 shaking, slow to fast
		104 ⇔ 109	Gobo 7 shaking, slow to fast
		110 ⇔ 115	Gobo 8 shaking, slow to fast
		116 ⇔ 121	Gobo 9 shaking, slow to fast
		122 ⇔ 127	Open
128 ⇔ 191	Clockwise gobo scroll, fast to slow		
192 ⇔ 255	Counterclockwise gobo scroll, slow to fast		
11	Gobo wheel 2 rotate	000 ⇔ 063	Gobo index
		064 ⇔ 147	Clockwise rotation, slow to fast
		148 ⇔ 231	Counterclockwise rotation, fast to slow
		232 ⇔ 255	Alternating clockwise/counterclockwise rotation, slow to fast
12	Focus	000 ⇔ 255	0–100%
13	Zoom	000 ⇔ 255	0–100%
14	Prism 1	000 ⇔ 004	No function
		005 ⇔ 255	Prism insert
15	Prism 1 rotate	000 ⇔ 127	Prism index
		128 ⇔ 189	Clockwise rotation, fast to slow
		190 ⇔ 193	Stop
		194 ⇔ 255	Counterclockwise rotation, slow to fast
16	Prism 2	000 ⇔ 004	No function
		005 ⇔ 255	Prism index

Channel	Function	Value	Percent/Setting
17	Prism 2 rotate	000 ⇔ 127	Prism index
		128 ⇔ 189	Clockwise rotation, fast to slow
		190 ⇔ 193	Stop
		194 ⇔ 255	Counterclockwise rotation, slow to fast
18	Frost	000 ⇔ 255	0–100%
19	Beam defraction	000 ⇔ 007	No function
		008 ⇔ 255	Frost effect
20	Control	000 ⇔ 009	No function
		010 ⇔ 019	Defogging fan on, slow to fast
		020 ⇔ 029	Defogging fan off
		030 ⇔ 039	Dimmer conventional mode
		040 ⇔ 049	Dimmer linear mode
		050 ⇔ 059	Pan/tilt fast mode
		060 ⇔ 069	Pan/tilt normal mode
		070 ⇔ 079	Blackout during pan/tilt (3 sec hold)
		080 ⇔ 089	Disable pan/tilt blackout (3 sec hold)
		090 ⇔ 099	Blackout while color wheel is moving (3 sec hold)
		100 ⇔ 109	Disable color wheel blackout (3 sec hold)
		110 ⇔ 119	Blackout while gobo wheels are moving (3 sec hold)
		120 ⇔ 129	Disable gobo wheel blackout (3 sec hold)
		130 ⇔ 139	Lamp on
		140 ⇔ 149	Pan/tilt reset
		150 ⇔ 159	Color wheel reset
		160 ⇔ 169	Gobo wheel reset
		170 ⇔ 179	Strobe/prism reset
		180 ⇔ 189	No function
		190 ⇔ 199	Frost/focus/zoom reset
		200 ⇔ 209	All reset
		210 ⇔ 219	Blackout all function during pan/tilt
		220 ⇔ 229	Disable blackout all function during pan/tilt
		230 ⇔ 239	Lamp off
		240 ⇔ 247	Pan/tilt smooth mode on
		248 ⇔ 255	Pan/tilt smooth mode off

Gobo Wheels



Gobo wheel 1



Gobo wheel 2

Acerca de Esta Guía

La Guía de Referencia Rápida (GRR) del Rogue Outcast 1 Hybrid contiene información básica sobre el producto, como montaje, opciones de menú y valores DMX. Descargue el Manual de Usuario de www.chauvetprofessional.com para información más detallada.

Exención de Responsabilidad

La información y especificaciones contenidas en esta GRR están sujetas a cambio sin previo aviso.

GARANTÍA LIMITADA

PARA VER EL REGISTRO DE GARANTÍA Y LOS TÉRMINOS Y CONDICIONES COMPLETOS, VISITE NUESTRO SITIO WEB.

Para clientes en los Estados Unidos y México: www.chauvetlighting.com/warranty-registration.

Para clientes en Reino Unido, República de Irlanda, Bélgica, Países Bajos, Luxemburgo, Francia y Alemania: www.chauvetlighting.eu/warranty-registration.

Chauvet garantiza que este producto estará libre de defectos de material y mano de obra en condiciones de uso normales, durante el periodo especificado, sujeto siempre a las exclusiones y limitaciones establecidas en la garantía limitada completa de nuestro sitio web. Esta garantía se concede únicamente al comprador original del producto y no es transferible. Para ejercer los derechos que otorga esta garantía, usted debe proporcionar una prueba de compra en forma de un recibo de compra original, expedido por un distribuidor autorizado, donde figure el nombre del producto y la fecha de compra. **NO EXISTEN OTRAS GARANTÍAS EXPRESAS NI IMPLÍCITAS.** Esta garantía le otorga derechos legales específicos. Es posible que a usted le asistan otros derechos, que variarán dependiendo del estado o del país. Esta garantía solamente es válida en los Estados Unidos, Reino Unido, República de Irlanda, Bélgica, Países Bajos, Luxemburgo, Francia, Alemania y México. Para conocer los términos de garantía en otros países, consulte a su distribuidor local.

Notas de Seguridad

- NO abra este producto. No contiene piezas reparables por el usuario.
- NO mire a la fuente de luz cuando el producto esté encendido.
- Para evitar un desgaste innecesario y alargar su vida útil, desconecte complemente el producto de la alimentación, mediante el interruptor o desenchufándolo, durante los periodos en los que no se use.
- CUIDADO: La carcasa de este producto está caliente cuando las luces están en funcionamiento.
- Monte este producto en una ubicación con ventilación adecuada, al menos a 20" (50 cm) de superficies adyacentes.
- NO deje ningún material inflamable a menos de 50 cm de este producto mientras esté funcionando o conectado a la alimentación.
- Cuidado: cuando transfiera el producto desde ambientes con temperatura extrema (p. ej., del remolque frío de un camión a una sala de baile con calor y humedad), puede formarse condensación en la electrónica interna del producto. Para evitar que se produzca una avería, deje que el producto se aclimate completamente al ambiente antes de conectar la alimentación.
- USE un cable de seguridad cuando monte este producto en lo alto.
- Este producto está diseñado para uso temporal en exteriores, no para instalación (IP54).
- NO ponga en funcionamiento este producto si sospecha que la carcasa, lentes o cables están dañados.
- NO conecte este producto a un atenuador o reostato.
- Conecte este producto SOLO a un circuito con toma de tierra y protegido.
- Use SOLAMENTE los soportes de colgar/montar para mover este producto.
- En caso de un problema grave de funcionamiento, deje de usarlo inmediatamente.
- La máxima temperatura ambiente es de 113 °F (45 °C). No haga funcionar este producto a temperaturas más altas.

Contacto

Fuera de EE. UU., Reino Unido, Irlanda, Benelux, Francia, Alemania o México póngase en contacto con su distribuidor para solicitar asistencia o devolver un producto. Consulte [Contact Us](#) al final de este GRR para información de contacto.

Qué va Incluido

- Rogue Outcast 1 Hybrid
- Cable de alimentación Seetronic Powerkon IP65
- 2 soportes Omega con material de montaje
- Guía de Referencia Rápida

Corriente Alterna

Este producto tiene una fuente de alimentación con detección automática que puede funcionar con un rango de tensión de entrada de 100 a 240 VCA, 50/60 Hz.

Enchufe CA

Conexión	Cable (EE.UU.)	Cable (Europa)	Color del tornillo
CA Cargado	Negro	Marrón	Amarillo/Latón
CA Neutro	Blanco	Azul	Plata
CA Tierra	Verde/Amarillo	Verde/Amarillo	Verde



Para evitar un desgaste innecesario y alargar su vida útil, desconecte completamente el producto de la alimentación, mediante el interruptor o desenchufándolo, durante los periodos en los que no se use.

Sustitución del Fusible

1. Desconecte este producto de la alimentación.
2. Utilizando un destornillador plano, desatornille la tapa del portafusibles de la carcasa.
3. Quite el fusible fundido del portafusibles y sustitúyalo con uno nuevo del mismo tipo y categoría (T 8 A, 250 V).
4. Vuelva a atornillar la tapa del portafusibles en su sitio y conecte de nuevo la alimentación.

Enlace DMX

El Rogue Outcast 1 Hybrid funcionará con un controlador DMX utilizando una conexión en serie DMX con clasificación IP de 5 pines. Hay un Manual DMX disponible en www.chauvetprofessional.com.

Conexión DMX

El Rogue Outcast 1 Hybrid usa una conexión de datos DMX con clasificación IP de 5 pines para sus personalidades DMX: **20CH** y **25CH**. Vea el Manual de Usuario para conectar y configurar para funcionamiento DMX.

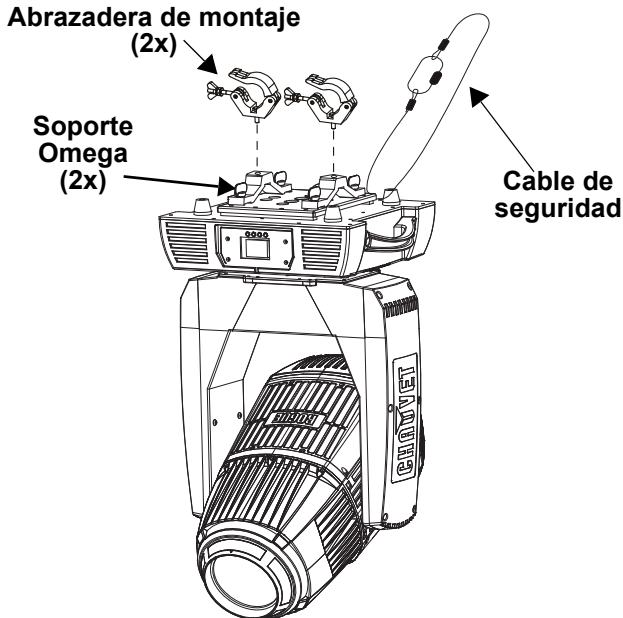
RDM (gestión remota del dispositivo)

Remote Device Management (gestión remota del dispositivo) o RDM, es un estándar que permite a los dispositivos con capacidad DMX una comunicación bidireccional por un cableado DMX existente. El Rogue Outcast 1 Hybrid admite protocolo RDM, que posibilita información para supervisar cambiar las opciones del mapa de menú. Descargue el manual de usuario de www.chauvetprofessional.com para una información más detallada.

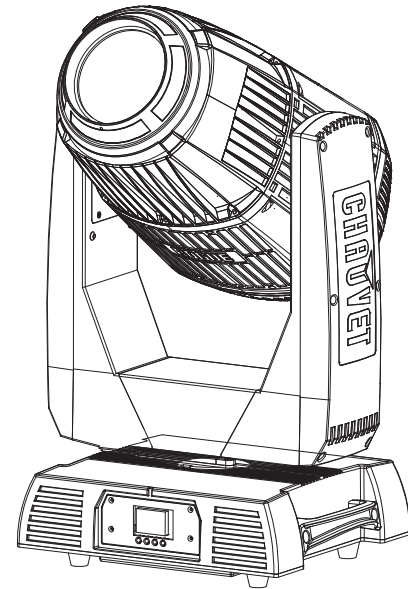
Montaje

Antes de montar este producto, lea las [Notas de Seguridad](#). Utilice al menos un punto de montaje por producto. Asegúrese de que las abrazaderas de montaje son capaces de soportar el peso del producto. Para nuestra línea Chauvet de abrazaderas de montaje, visite <http://trusst.com/productcategory/truss-clamps/>.

Diagrama de Montaje del Producto



Montaje en altura



Montaje en el suelo

Descripción del Panel de Control

Botón	Función
<MENU>	Sale del menú o función actual
<ENTER>	Habilita el menú actualmente en pantalla o configura el valor seleccionado actualmente dentro de la función seleccionada
<UP>	Navega hacia arriba por la lista de menú y aumenta el valor numérico cuando está en una función
<DOWN>	Navega hacia abajo por la lista de menú y disminuye el valor numérico cuando está en una función

Mapa de Menú

Nivel Principal	Niveles de Programación		Descripción
Address	001–512		Configura la dirección inicial DMX
Run Mode	DMX	20CH	Selecciona la personalidad DMX
		25CH	
	Auto Test		Inicia la secuencia de prueba del dispositivo
Setup	Manual Test	Pan	0–255 Permite control manual de toda la configuración desde el panel de control
		Pan Fine	
		Tilt	
		Tilt Fine	
		P/T Speed	
		Dimmer	
		Dimmer Fine	
		Shutter	
		Color	
		Gobo 2	
		Gobo	
		Gobo Rotate	
		Focus	
		Focus Fine	
		Zoom	
Zoom Fine			
Prism1			
Prism1 Rotate			
Prism2			
Prism2 Rotate			
Frost1			
Frost2			
P/T Macro			
P/T Ma. Speed			
Special Function			
Setup	Pan Reverse	YES	Invierte el funcionamiento del desplazamiento lateral
		NO	Funcionamiento de desplazamiento lateral normal
	Tilt Reverse	YES	Invierte el funcionamiento de la inclinación
		NO	Funcionamiento inclinación normal
	Screen Reverse	YES	Pantalla invertada
		NO	Pantalla normal
		AUT	Pantalla automática
	Pan Angle	540	Selecciona el rango de desplazamiento lateral de 540°
		360	Selecciona el rango de desplazamiento lateral de 360°
		180	Selecciona el rango de desplazamiento lateral de 180°
	Tilt Angle	270	Selecciona el rango de inclinación de 270°
		180	Selecciona el rango de inclinación de 180°
		90	Selecciona el rango de inclinación de 90°
	BL. O. P/T Move	YES	Blackout mientras se desplaza/inclina
		NO	No blackout mientras se desplaza/inclina
BL. O. Color Move	YES	Blackout mientras la rueda de color se mueve	
	NO	No blackout mientras la rueda de color se mueve	
BL. O. Gobo Move	YES	Blackout mientras las ruedas de gobo se mueve	
	NO	No blackout mientras las ruedas de gobo se mueve	

Nivel Principal	Niveles de Programación		Descripción	
Setup (continuación)	Lamp Settings	On/Off	YES	Apaga/enciende la lámpara
			NO	
		State/Power On	YES	Define el estado de la lámpara cuando se da alimentación al producto
			NO	
		Off via DMX	YES	Apaga la unidad a través del controlador DMX
			NO	
		On if DMX On	YES	Encienda la lámpara cuando detecta la señal DMX
			NO	
	Off if DMX Off	YES	Apaga la lámpara cuando detecta la señal DMX	
		NO		
	Ignition Delay	0-255	Selecciona la duración del retardo entre el encendido del producto y el encendido de la lámpara	
		0-255		
	Low Power Delay	0-255	Selecciona la duración del retardo cuando el obturador se cierra y la lámpara entra en estado de bajo consumo	
		0-255		
	Reset Lamp Time	YES	Reinicia la cuenta de tiempo de la lámpara a 0	
		NO		
	Maintenance Timer	Interval	10-250	Define la cantidad de horas entre operaciones de mantenimiento
		Remaining time	10-250	Muestra en pantalla el tiempo restante del ciclo de mantenimiento
Reset Function	Pan/Tilt	YES/NO	Restablece las funciones individuales o todas las funciones desde el arranque	
	Shutter/Prism			
	Color			
	Gobo			
	Zoom/Frost/Focus			
	All			
Factory Settings	YES		Restablece el dispositivo a la configuración de fábrica	
	NO			
Sys Info	Display Ver	V_	Muestra la versión de pantalla	
	PanTilt Ver	V_	Muestra la versión panoramico/inclinacion	
	Prism Ver	V_	Muestra la versión del prisma	
	Gobo Ver	V_	Muestra la versión de gobo	
	Other Ver	V_	Muestra otra versión	
	Running Mode	---	Muestra el modo de ejecución actual	
	DMX Address	---	Muestra la dirección DMX actual	
	Lamp On Time	----	Muestra la lámpara a tiempo	
	Remain Time	----	Muestra el tiempo de mantenimiento de la lámpara	
	Temperature1	---	Muestra la temperatura del producto en ° C	
	Temperature2	---		
	Voltage	---	Muestra el voltaje de la lámpara	
	Current	---	Muestra la corriente de la lámpara	
	Power	---	Muestra el alimentación de la lámpara	
	Fan Speed	---	Muestra la velocidad del ventilador	
	Fan 1-5	---	Muestra la velocidad de los ventilador 1-5	
	UID	-----	Muestra información de UID	

ES

Valores DMX
25CH

Canal	Función	Valor	Porcentaje/Configuración
1	Panoramico	000 ⇔ 255	0–100%
2	Panoramico fino	000 ⇔ 255	Control fino (16-bit)
3	Inclinación	000 ⇔ 255	0–100%
4	Inclinación fino	000 ⇔ 255	Control fino (16-bit)
5	Velocidad de panoramico/inclinación	000 ⇔ 255	Rápido a lento
6	Atenuador	000 ⇔ 255	0–100%
7	Atenuador fino	000 ⇔ 255	Control fino (16-bit)
8	Obturador	000 ⇔ 007	Sin función
		008 ⇔ 015	Abierto
		016 ⇔ 131	Luz estroboscópica sincronizada, lento a rápido
		132 ⇔ 167	Rápido apagado, lento encendido (lento a rápido)
		168 ⇔ 203	Lento apagado, rápido encendido (lento a rápido)
		204 ⇔ 239	Estroboscópico de pulso, lento a rápido
		240 ⇔ 247	Luz estroboscópica aleatoria, lento a rápido
		248 ⇔ 255	Abierto
9	Rueda de color	000 ⇔ 003	Abierto
		004 ⇔ 007	Rojo
		008 ⇔ 011	Naranja
		012 ⇔ 015	Cyan
		016 ⇔ 019	Verde claro
		020 ⇔ 023	Amarillo claro
		024 ⇔ 027	Verde
		028 ⇔ 031	Magenta
		032 ⇔ 035	Azul oscuro
		036 ⇔ 039	Amarillo oscuro
		040 ⇔ 043	Azul
		044 ⇔ 047	CTO 5600K
		048 ⇔ 051	CTO 6500K
		052 ⇔ 059	UV
		060 ⇔ 187	Colores divididos
		188 ⇔ 219	Desplazamiento de color, rápido a lento
220 ⇔ 223	Parada		
224 ⇔ 255	Desplazamiento inverso de color, lento a rápido		
10	Rueda de gobo 1 (ver Ruedas de gobos)	000 ⇔ 003	Abierto
		004 ⇔ 006	Gobo 1
		007 ⇔ 009	Gobo 2
		010 ⇔ 012	Gobo 3
		013 ⇔ 015	Gobo 4
		016 ⇔ 018	Gobo 5
		019 ⇔ 021	Gobo 6
		022 ⇔ 024	Gobo 7
		025 ⇔ 027	Gobo 8
		028 ⇔ 030	Gobo 9
		031 ⇔ 033	Gobo 10
		034 ⇔ 036	Gobo 11
		037 ⇔ 039	Gobo 12
		040 ⇔ 042	Gobo 13
		043 ⇔ 059	Abierto

Canal	Función	Valor	Porcentaje/Configuración
10	Rueda de gobo 1 (continuación)	060 ⇔ 063	Vibración de gobo 1, lento a rápido
		064 ⇔ 067	Vibración de gobo 2, lento a rápido
		068 ⇔ 071	Vibración de gobo 3, lento a rápido
		072 ⇔ 075	Vibración de gobo 4, lento a rápido
		076 ⇔ 079	Vibración de gobo 5, lento a rápido
		080 ⇔ 083	Vibración de gobo 6, lento a rápido
		084 ⇔ 087	Vibración de gobo 7, lento a rápido
		088 ⇔ 091	Vibración de gobo 8, lento a rápido
		092 ⇔ 095	Vibración de gobo 9, lento a rápido
		096 ⇔ 099	Vibración de gobo 10, lento a rápido
		100 ⇔ 103	Vibración de gobo 11, lento a rápido
		104 ⇔ 107	Vibración de gobo 12, lento a rápido
		108 ⇔ 111	Vibración de gobo 13, lento a rápido
		112 ⇔ 127	Abierto
		128 ⇔ 189	Desplazamiento de gobo, rápido a lento
190 ⇔ 193	Parada		
194 ⇔ 255	Desplazamiento inverso de gobo, lento a rápido		
11	Rueda de gobo 2 (ver Ruedas de gobos)	000 ⇔ 005	Abierto (apertura se establece a modo Spot)
		006 ⇔ 011	Gobo 1
		012 ⇔ 017	Gobo 2
		018 ⇔ 023	Gobo 3
		024 ⇔ 029	Gobo 4
		030 ⇔ 035	Gobo 5
		036 ⇔ 041	Gobo 6
		042 ⇔ 047	Gobo 7
		048 ⇔ 053	Gobo 8
		054 ⇔ 063	Gobo 9
		064 ⇔ 073	Vibración de gobo 1, lento a rápido
		074 ⇔ 079	Vibración de gobo 2, lento a rápido
		080 ⇔ 085	Vibración de gobo 3, lento a rápido
		086 ⇔ 091	Vibración de gobo 4, lento a rápido
		092 ⇔ 097	Vibración de gobo 5, lento a rápido
		098 ⇔ 103	Vibración de gobo 6, lento a rápido
		104 ⇔ 109	Vibración de gobo 7, lento a rápido
		110 ⇔ 115	Vibración de gobo 8, lento a rápido
		116 ⇔ 121	Vibración de gobo 9, lento a rápido
		122 ⇔ 127	Abierto
128 ⇔ 191	Desplazamiento de gobo, rápido a lento		
192 ⇔ 255	Desplazamiento inverso de gobo, lento a rápido		
12	Girar rueda de gobo 2	000 ⇔ 063	Índice de gobo
		064 ⇔ 147	Rotación en sentido horario, lento a rápido
		148 ⇔ 231	Giro en sentido antihorario, rápido a lento
		232 ⇔ 255	Alternando rotación en sentido horario, lento a rápido
13	Foco	000 ⇔ 255	0–100%
14	Foco fine	000 ⇔ 255	Control fino (16-bit)
15	Zoom	000 ⇔ 255	0–100%
16	Zoom fino	000 ⇔ 255	Control fino (16-bit)
17	Prisma 1	000 ⇔ 004	Sin función
		005 ⇔ 255	Insertar prisma
18	Rotación de prisma 1	000 ⇔ 127	Prisma giratorio indexación
		128 ⇔ 189	Rotación de prisma, rápido a lento
		190 ⇔ 193	Parada
		194 ⇔ 255	Rotación inverso de prisma, lento a rápido

GUÍA DE REFERENCIA RÁPIDA



ES

Canal	Función	Valor	Porcentaje/Configuración
19	Prisma 2	000 ⇔ 004	Sin función
		005 ⇔ 255	Indexado prisma
20	Rotación de prisma 2	000 ⇔ 127	Indexado prisma
		128 ⇔ 189	Rotación de prisma, rápido a lento
		190 ⇔ 193	Parada
		194 ⇔ 255	Rotación inverso de prisma, lento a rápido
21	Difusor	000 ⇔ 255	0–100%
22	Difracción del haz	000 ⇔ 007	Sin función
		008 ⇔ 255	Efecto de difusor
23	Macros de movimiento	000 ⇔ 007	Sin función
		008 ⇔ 015	Efecto 1
		016 ⇔ 023	Efecto 2
		024 ⇔ 031	Efecto 3
		032 ⇔ 039	Efecto 4
		040 ⇔ 047	Efecto 5
		048 ⇔ 055	Efecto 6
		056 ⇔ 063	Efecto 7
		064 ⇔ 071	Efecto 8
		072 ⇔ 079	Efecto 9
		080 ⇔ 087	Efecto 10
		088 ⇔ 095	Efecto 11
		096 ⇔ 103	Efecto 12
		104 ⇔ 111	Efecto 13
		112 ⇔ 119	Efecto 14
		120 ⇔ 127	Efecto 15
		128 ⇔ 135	Efecto 16
		136 ⇔ 143	Efecto 17
		144 ⇔ 151	Efecto 18
		152 ⇔ 159	Efecto 19
		160 ⇔ 167	Efecto 20
		168 ⇔ 175	Efecto 21
		176 ⇔ 183	Efecto 22
		184 ⇔ 191	Efecto 23
		192 ⇔ 199	Efecto 24
		200 ⇔ 207	Efecto 25
		208 ⇔ 215	Efecto 26
		216 ⇔ 223	Efecto 27
		224 ⇔ 231	Efecto 28
		232 ⇔ 239	Efecto 29
		240 ⇔ 247	Efecto 30
248 ⇔ 255	Efecto 31		
24	Movimiento macro velocidad	000 ⇔ 255	Rápido a lento

Canal	Función	Valor	Porcentaje/Configuración
25	Control (mantener 3 s)	000 ⇔ 009	Sin función
		010 ⇔ 019	Desempañando el ventilador encendido, lento a rápido
		020 ⇔ 029	Desempañando el ventilador apagado
		030 ⇔ 039	Modo atenuador convencional
		040 ⇔ 049	Modo atenuador lineal
		050 ⇔ 059	Modo rápido desplazamiento lateral/inclinación
		060 ⇔ 069	Modo normal desplazamiento lateral/inclinación
		070 ⇔ 079	Blackout durante desplazamiento lateral/inclinación
		080 ⇔ 089	Deshabilitar blackout de desplazamiento lateral/inclinación
		090 ⇔ 099	Blackout mientras se mueve la rueda de color
		100 ⇔ 109	Deshabilitar blackout de rueda de color
		110 ⇔ 119	Blackout mientras se mueve la rueda de gobo
		120 ⇔ 129	Deshabilitar blackout de rueda de gobo
		130 ⇔ 139	Lampára encendida
		140 ⇔ 149	Restablecer desplazamiento lateral/inclinación
		150 ⇔ 159	Restablecer rueda de color
		160 ⇔ 169	Restablecer rueda de gobo
		170 ⇔ 179	Restablecer obturador/prisma
		180 ⇔ 189	Sin función
		190 ⇔ 199	Restablecer difusor/foco/zoom
		200 ⇔ 209	Restablecer todo
		210 ⇔ 219	Blackout de todas las funciones durante desplazamiento lateral/inclinación
		220 ⇔ 229	Deshabilitar blackout de todas las funciones durante desplazamiento lateral/inclinación
		230 ⇔ 239	Lampára apagada
		240 ⇔ 247	Modo de movimiento horizontal / vertical suave activado
248 ⇔ 255	Modo de movimiento horizontal / vertical suave apagado		

ES

20CH

Canal	Función	Valor	Porcentaje/Configuración
1	Panoramico	000 ⇔ 255	0–100%
2	Panoramico fino	000 ⇔ 255	Control fino (16-bit)
3	Inclinación	000 ⇔ 255	0–100%
4	Inclinación fino	000 ⇔ 255	Control fino (16-bit)
5	Velocidad de panoramico/inclinación	000 ⇔ 255	Rápido a lento
6	Atenuador	000 ⇔ 255	0–100%
7	Obturador	000 ⇔ 007	Sin función
		008 ⇔ 015	Abierto
		016 ⇔ 131	Luz estroboscópica sincronizada, lento a rápido
		132 ⇔ 167	Rápido apagado, lento encendido (lento a rápido)
		168 ⇔ 203	Lento apagado, rápido encendido (lento a rápido)
		204 ⇔ 239	Estroboscópico de pulso, lento a rápido
		240 ⇔ 247	Luz estroboscópica aleatoria, lento a rápido
		248 ⇔ 255	Abierto
8	Rueda de color	000 ⇔ 003	Abierto
		004 ⇔ 007	Rojo
		008 ⇔ 011	Naranja
		012 ⇔ 015	Cyan
		016 ⇔ 019	Verde claro
		020 ⇔ 023	Amarillo claro
		024 ⇔ 027	Verde
		028 ⇔ 031	Magenta
		032 ⇔ 035	Azul oscuro
		036 ⇔ 039	Amarillo oscuro
		040 ⇔ 043	Azul
		044 ⇔ 047	CTO 5600K
		048 ⇔ 051	CTO 6500K
		052 ⇔ 059	UV
		060 ⇔ 187	Colores divididos
		188 ⇔ 219	Desplazamiento de color, rápido a lento
220 ⇔ 223	Parada		
224 ⇔ 255	Desplazamiento inverso de color, lento a rápido		
9	Rueda de gobo 1 (ver Ruedas de gobos)	000 ⇔ 003	Abierto
		004 ⇔ 006	Gobo 1
		007 ⇔ 009	Gobo 2
		010 ⇔ 012	Gobo 3
		013 ⇔ 015	Gobo 4
		016 ⇔ 018	Gobo 5
		019 ⇔ 021	Gobo 6
		022 ⇔ 024	Gobo 7
		025 ⇔ 027	Gobo 8
		028 ⇔ 030	Gobo 9
		031 ⇔ 033	Gobo 10
		034 ⇔ 036	Gobo 11
		037 ⇔ 039	Gobo 12
		040 ⇔ 042	Gobo 13
		043 ⇔ 059	Abierto

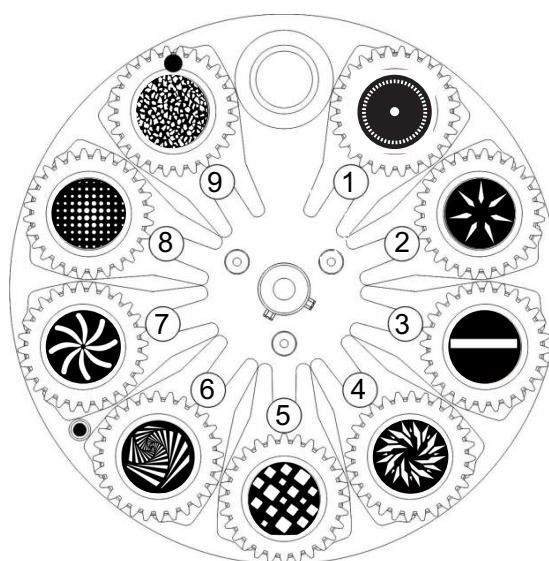
Canal	Función	Valor	Porcentaje/Configuración
9	Rueda de gobo 1 (continuación)	060 ⇔ 063	Vibración de gobo 1, lento a rápido
		064 ⇔ 067	Vibración de gobo 2, lento a rápido
		068 ⇔ 071	Vibración de gobo 3, lento a rápido
		072 ⇔ 075	Vibración de gobo 4, lento a rápido
		076 ⇔ 079	Vibración de gobo 5, lento a rápido
		080 ⇔ 083	Vibración de gobo 6, lento a rápido
		084 ⇔ 087	Vibración de gobo 7, lento a rápido
		088 ⇔ 091	Vibración de gobo 8, lento a rápido
		092 ⇔ 095	Vibración de gobo 9, lento a rápido
		096 ⇔ 099	Vibración de gobo 10, lento a rápido
		100 ⇔ 103	Vibración de gobo 11, lento a rápido
		104 ⇔ 107	Vibración de gobo 12, lento a rápido
		108 ⇔ 111	Vibración de gobo 13, lento a rápido
		112 ⇔ 127	Abierto
		128 ⇔ 189	Desplazamiento de gobo, rápido a lento
		190 ⇔ 193	Parada
194 ⇔ 255	Desplazamiento inverso de gobo, lento a rápido		
10	Rueda de gobo 2 (ver Ruedas de gobos)	000 ⇔ 005	Abierto (abertura se establece a modo Spot)
		006 ⇔ 011	Gobo 1
		012 ⇔ 017	Gobo 2
		018 ⇔ 023	Gobo 3
		024 ⇔ 029	Gobo 4
		030 ⇔ 035	Gobo 5
		036 ⇔ 041	Gobo 6
		042 ⇔ 047	Gobo 7
		048 ⇔ 053	Gobo 8
		054 ⇔ 063	Gobo 9
		064 ⇔ 073	Vibración de gobo 1, lento a rápido
		074 ⇔ 079	Vibración de gobo 2, lento a rápido
		080 ⇔ 085	Vibración de gobo 3, lento a rápido
		086 ⇔ 091	Vibración de gobo 4, lento a rápido
		092 ⇔ 097	Vibración de gobo 5, lento a rápido
		098 ⇔ 103	Vibración de gobo 6, lento a rápido
		104 ⇔ 109	Vibración de gobo 7, lento a rápido
		110 ⇔ 115	Vibración de gobo 8, lento a rápido
		116 ⇔ 121	Vibración de gobo 9, lento a rápido
		122 ⇔ 127	Abierto
128 ⇔ 191	Desplazamiento de gobo, rápido a lento		
192 ⇔ 255	Desplazamiento inverso de gobo, lento a rápido		
11	Girar rueda de gobo 2	000 ⇔ 063	Índice de gobo
		064 ⇔ 147	Rotación en sentido horario, lento a rápido
		148 ⇔ 231	Giro en sentido antihorario, rápido a lento
		232 ⇔ 255	Alternando rotación en sentido horario, lento a rápido
12	Foco	000 ⇔ 255	0–100%
13	Zoom	000 ⇔ 255	0–100%
14	Prisma 1	000 ⇔ 004	Sin función
		005 ⇔ 255	Insertar prisma
15	Rotación de prisma 1	000 ⇔ 127	Prisma giratorio indexación
		128 ⇔ 189	Rotación de prisma, rápido a lento
		190 ⇔ 193	Parada
		194 ⇔ 255	Rotación inverso de prisma, lento a rápido
16	Prisma 2	000 ⇔ 004	Sin función
		005 ⇔ 255	Indexado prisma

Canal	Función	Valor	Porcentaje/Configuración
17	Rotación de prisma 2	000 ⇔ 127	Indexado prisma
		128 ⇔ 189	Rotación de prisma, rápido a lento
		190 ⇔ 193	Parada
		194 ⇔ 255	Rotación inverso de prisma, lento a rápido
18	Difusor	000 ⇔ 255	0–100%
19	Difracción del haz	000 ⇔ 007	Sin función
		008 ⇔ 255	Efecto de difusor
20	Control (mantener 3 s)	000 ⇔ 009	Sin función
		010 ⇔ 019	Desempañando el ventilador encendido, lento a rápido
		020 ⇔ 029	Desempañando el ventilador apagado
		030 ⇔ 039	Modo atenuador convencional
		040 ⇔ 049	Modo atenuador lineal
		050 ⇔ 059	Modo rápido desplazamiento lateral/inclinación
		060 ⇔ 069	Modo normal desplazamiento lateral/inclinación
		070 ⇔ 079	Blackout durante desplazamiento lateral/inclinación
		080 ⇔ 089	Deshabilitar blackout de desplazamiento lateral/inclinación
		090 ⇔ 099	Blackout mientras se mueve la rueda de color
		100 ⇔ 109	Deshabilitar blackout de rueda de color
		110 ⇔ 119	Blackout mientras se mueve la rueda de gobo
		120 ⇔ 129	Deshabilitar blackout de rueda de gobo
		130 ⇔ 139	Lampára encendida
		140 ⇔ 149	Restablecer desplazamiento lateral/inclinación
		150 ⇔ 159	Restablecer rueda de color
		160 ⇔ 169	Restablecer rueda de gobo
		170 ⇔ 179	Restablecer obturador/prisma
		180 ⇔ 189	Sin función
		190 ⇔ 199	Restablecer difusor/foco/zoom
		200 ⇔ 209	Restablecer todo
		210 ⇔ 219	Blackout de todas las funciones durante desplazamiento lateral/inclinación
		220 ⇔ 229	Deshabilitar blackout de todas las funciones durante desplazamiento lateral/inclinación
		230 ⇔ 239	Lampára apagada
		240 ⇔ 247	Modo de movimiento horizontal / vertical suave activado
		248 ⇔ 255	Modo de movimiento horizontal / vertical suave apagado

Ruedas de gobos



Rueda de gobo 1



Rueda de gobo 2

À Propos de ce Manuel

Le Manuel de Référence du Rogue Outcast 1 Hybrid (MdR) reprend des informations de base sur cet appareil notamment en matière de connexions, montage, options de menu et valeurs DMX. Téléchargez le Manuel d'Utilisation sur www.chauvetprofessional.com pour de plus amples informations.

Clause de Non-Responsabilité

Les informations et caractéristiques contenues dans ce manuel sont sujettes à changement sans préavis.

GARANTIE LIMITÉE

VEUILLEZ VISITER NOTRE SITE INTERNET POUR CONSULTER LES MODALITÉS D'ENREGISTREMENT DE LA GARANTIE ET LES CONDITIONS GÉNÉRALES COMPLÈTES.

Pour les clients aux États-Unis et au Mexique: www.chauvetlighting.com/warranty-registration.

Pour les clients du Royaume-Uni, de la République d'Irlande, de la Belgique, des Pays-Bas, du Luxembourg, de la France et de l'Allemagne: www.chauvetlighting.eu/warranty-registration.

Chauvet garantit que cet appareil est exempt de défauts de matériaux et de fabrication dans des conditions normales d'utilisation, pendant la période spécifiée dans la garantie limitée complète consultable sur notre site Internet et sous réserve des exclusions et limitations qui y sont énoncées. Cette garantie ne s'applique qu'à l'acheteur initial du produit et n'est pas transférable. Pour exercer les droits prévus par cette garantie, vous devez fournir une preuve d'achat sous la forme d'un reçu de vente original d'un revendeur autorisé qui indique le nom du produit et la date d'achat. **IL N'EXISTE AUCUNE AUTRE GARANTIE EXPRESSE OU IMPLICITE.** Cette garantie vous confère des droits légaux spécifiques. Vous pouvez également bénéficier d'autres droits qui varient selon les états et les pays. Cette garantie n'est valable qu'aux États-Unis, au Royaume-Uni, en République d'Irlande, en Belgique, aux Pays-Bas, au Luxembourg, en France, en Allemagne et au Mexique. Pour connaître les conditions de garantie dans d'autres pays, veuillez consulter votre revendeur local.

Consignes de Sécurité

- N'ouvrez PAS cet appareil. Il ne contient aucun composant susceptible d'être réparé par l'utilisateur.
- Ne regardez PAS la source lumineuse lorsque le produit fonctionne.
- Durant les périodes de non-utilisation, pour éviter tout usure inutile et pour prolonger la durée de vie, déconnectez entièrement l'appareil en le débranchant de l'alimentation électrique ou en coupant le disjoncteur.
- ATTENTION : Lorsque l'appareil est transféré d'un environnement à température extrême à un autre (par exemple d'un camion froid vers une salle de bal chaude et humide), de la condensation peut se former sur les composants électriques internes. Pour éviter de causer des dommages, laissez l'appareil s'acclimater entièrement au milieu environnant avant de le mettre sous tension.
- ATTENTION : le boîtier de ce produit peut s'avérer brûlant lors du fonctionnement.
- Montez toujours ce produit dans un endroit bien ventilé, à au moins 50 cm (20 pouces) des surfaces adjacentes.
- Ne laissez AUCUNE source inflammable dans un rayon de 50 cm du produit lorsque celui-ci fonctionne.
- Utilisez TOUJOURS un câble de sécurité lorsque vous montez ce produit en hauteur.
- Ce produit est conçu pour une utilisation temporaire à l'extérieur et non pour l'installation (IP54).
- N'utilisez PAS cet appareil si le boîtier, les lentilles ou les câbles vous semblent endommagés.
- Ne connectez ce produit NI à un gradateur NI à un rhéostat.
- Connectez UNIQUEMENT cet appareil à un circuit protégé et relié à la terre.
- N'utilisez QUE les lyres de suspension ou les poignées pour transporter cet appareil. Ne transportez jamais cet appareil par sa lyre asservie.
- En cas de sérieux problèmes de fonctionnement, arrêtez le système immédiatement.
- La température ambiante maximale doit être de 113° F (45° C). Ne le faites pas fonctionner à des températures plus élevées.

Contact

En dehors des États-Unis, du Royaume-Uni, de l'Irlande, du Benelux, de la France, de l'Allemagne, ou du Mexique, contactez votre fournisseur si vous avez besoin d'assistance ou pour retourner un appareil. Référez-vous à [Contact Us](#) à la fin de ce MdR pour obtenir des informations pour nous contacter.

Ce Qui est Inclus

- Rogue Outcast 1 Hybrid
- Cordon d'alimentation Seetronic Powerkon IP65
- 2 fixations Omega avec matériel de montage
- Manuel de Référence

Alimentation CA

Cet appareil est doté d'une alimentation universelle prenant en charge toute tension d'entrée comprise entre 100 et 240 VCA, 50/60 Hz.

Prise CA

Connexion	Câble (États-Unis)	Câble (Europe)	Couleur de la vis
Conducteur CA	Noir	Marron	Jaune/Cuivré
Neutre CA	Blanc	Bleu	Argenté
Terre CA	Vert/Jaune	Vert/Jaune	Vert



Durant les périodes de non-utilisation, pour éviter toute usure inutile et pour prolonger la durée de vie, déconnectez-entièrement l'appareil en le débranchant de l'alimentation électrique ou en coupant le disjoncteur.

Remplacement du Fusible

1. Débranchez l'appareil de l'alimentation.
2. À l'aide d'un tournevis à tête plate, dévissez le couvercle du porte-fusible du boîtier.
3. Retirez le fusil obsolète et remplacez-le par un fusible en bon état de même type et ampérage (T 8 A, 250 V).
4. Revissez le couvercle du porte-fusible et rebranchez l'unité.

Raccordement DMX

Le Rogue Outcast 1 Hybrid fonctionnera avec une console DMX au moyen d'une connexion série DMX IP à 5 broches. Une introduction au DMX est à votre disposition sur www.chauvetprofessional.com.

Connexion DMX

Le Rogue Outcast 1 Hybrid utilise une connexion de données DMX IP à 5 broches pour ses personnalités DMX : **20CH** et **25CH**. Consultez le Manuel d'Utilisation pour connecter et configurer le système DMX.

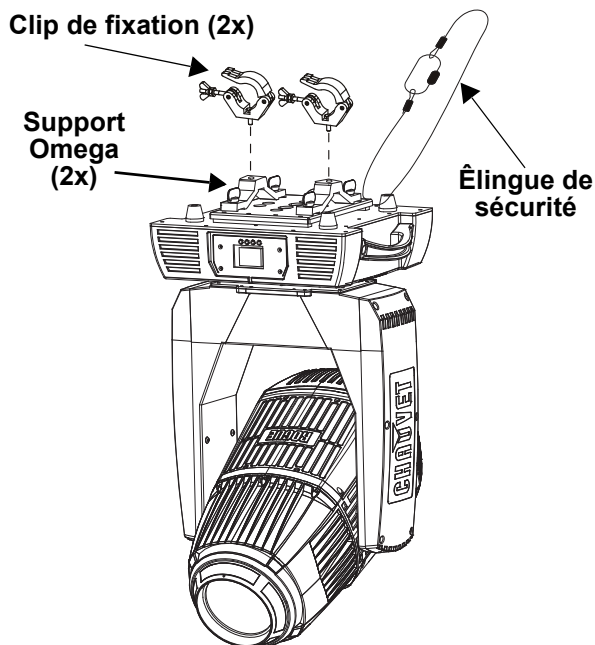
RDM (Gestion des périphériques à distance)

Le protocole RDM (gestion des périphériques à distance) est un standard pour la communication bidirectionnelle des appareils dotés de fonctions DMX dans un câblage DMX existant. Le Rogue Outcast 1 Hybrid supporte le protocole RDM permettant un retour d'information pour la surveillance et des changements des options de menu. Veuillez télécharger le manuel de l'utilisateur à partir du site internet www.chauvetprofessional.com pour plus de détails.

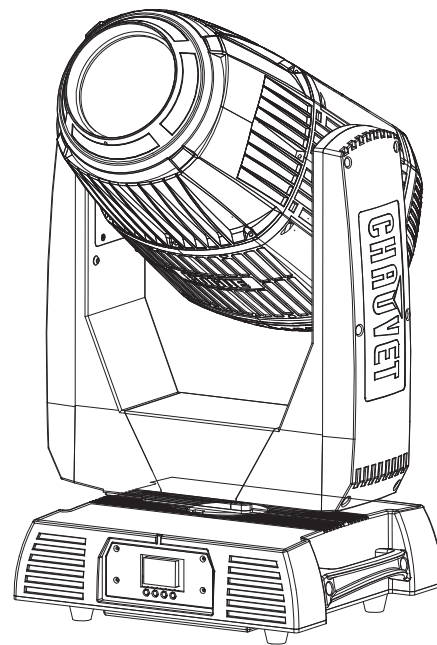
Installation

Avant de monter cet appareil, lisez et assimilez les [Consignes de Sécurité](#). Utilisez au moins un point de fixation par appareil. Soyez sûr que les crochets sont capables de supporter le poids du produit. Pour voir notre gamme de crochets, rendez-vous sur <http://trusst.com/productcategory/truss-clamps>.

Schéma de Montage de l'Appareil



Montage en Hauteur



Montage au Sol

Description du Tableau de Commandes

Bouton	Fonction
<MENU>	Permet la sortie du menu ou de la fonction en cours
<ENTER>	Permet l'affichage du menu en cours ou permet de configurer la valeur en cours dans la fonction sélectionnée
<UP>	Permet de parcourir les listes de menu vers le haut, dans une fonction permet d'augmenter les valeurs numériques
<DOWN>	Permet de parcourir les listes de menu vers le bas, dans une fonction permet de diminuer les valeurs numériques

Plan du Menu

Niveau Principal	Niveaux de Programmation		Description
Address	001–512		Configure l'adresse DMX de départ
Run Mode	DMX	20CH	Sélectionne le mode DMX
		25CH	
	Auto Test		Lance la séquence de test de l'appareil
Setup	Manual Test	Pan	0–255 Permet de commander manuellement tous les paramètres du panneau de commande
		Pan Fine	
		Tilt	
		Tilt Fine	
		P/T Speed	
		Dimmer	
		Dimmer Fine	
		Shutter	
		Color	
		Gobo 2	
		Gobo	
		Gobo Rotate	
		Focus	
		Focus Fine	
		Zoom	
Zoom Fine			
Prism1			
Prism1 Rotate			
Prism2			
Prism2 Rotate			
Frost1			
Frost2			
P/T Macro			
P/T Ma. Speed			
Special Function			
Setup	Pan Reverse	YES	Fonctionnement inversé du pan
		NO	Fonctionnement normal du pan
	Tilt Reverse	YES	Fonctionnement inversé du tilt
		NO	Fonctionnement normal du tilt
	Screen Reverse	YES	Affichage à l'écran inversé
		NO	Affichage à l'écran normal
		AUT	Affichage automatique de l'écran
	Pan Angle	540	Sélectionne une plage d'angle de pan à 540°
		360	Sélectionne une plage d'angle de pan à 360°
		180	Sélectionne une plage d'angle de pan à 180°
	Tilt Angle	260	Sélectionne une plage d'angle de tilt à 260°
		180	Sélectionne une plage d'angle de tilt à 180°
		90	Sélectionne une plage d'angle de tilt à 90°
	BL. O. P/T Move	YES	Faire du noir pendant le pan/tilt
		NO	Pas de faire du noir pendant le pan/tilt
BL. O. Color Move	YES	Faire du noir pendant le roue de couleur	
	NO	Pas de faire du noir pendant le roue de couleur	
BL. O. Gobo Move	YES	Faire du noir pendant le roue de gobo	
	NO	Pas de faire du noir pendant le roue de gobo	

Niveau Principal	Niveaux de Programmation		Description	
Setup (continuation)	Lamp Settings	On/Off	YES NO	Allume ou éteint l'unité
		State/Power On	YES NO	Définit le statut de la lampe lors de la mise sous tension de l'unité
			YES NO	Éteint l'unité via le jeu d'orgues DMX
		On if DMX On	YES NO	La lampe s'allume quand le signal DMX est détecté
			YES NO	La lampe s'éteint quand le signal DMX est perdu
		Ignition Delay	0-255	Sélectionne la durée de la temporisation entre le moment où l'appareil s'allume et où la lampe s'allume
		Low Power Delay	0-255	Sélectionne la durée de la temporisation entre le moment où l'obturateur se ferme et la lampe se met en mode veille
		Reset Lamp Time	YES NO	Réinitialise la minuterie de la lampe Conserve la configuration de la minuterie de la lampe
	Interval		10-250	Définit le nombre d'heures entre deux maintenances
	Maintenance Timer	Remaining Time	10-250	Indique le temps restant lors du cycle de maintenance
		Reset Function	Pan/Tilt	YES/NO
	Shutter/Prism			
	Color			
	Gobo			
	Zoom/ Frost/ Focus			
	Factory Settings	All	YES NO	Réinitialisation aux paramètres par défaut d'usine
		Display Ver	V_	Affiche la version d'affichage
Sys Info	PanTilt Ver	V_	Affiche la version panoramique / inclinaison	
	Prism Ver	V_	Affiche la version du prisme	
	Gobo Ver	V_	Affiche la version du gobo	
	Other Ver	V_	Affiche une autre version	
	Running Mode	---	Affiche le mode de fonctionnement actuel	
	DMX Address	---	Affiche l'adresse DMX actuelle	
	Lamp On Time	----	Montre la lampe à l'heure	
	Remain Time	----	Affiche le temps d'entretien de la lampe	
	Temperature1	---	Affiche la température actuelle en °C	
	Temperature2	---		
	Voltage	---	Affiche la tension de la lampe	
	Current	---	Affiche le courant de la lampe	
	Power	---	Montre la puissance de la lampe	
	Fan Speed	---	Affiche la vitesse du ventilateur	
	Fan 1-5	---	Affiche la vitesse des ventilateur 1 à 5	
UID	-----	Affiche les informations UID		

Valeurs DMX
25CH

Canal	Fonction	Valuer	Pourcentage/Configuration
1	Panoramique	000 ⇔ 255	0–100%
2	Panoramique précis	000 ⇔ 255	Contrôle précis (16-bit)
3	Inclinaison	000 ⇔ 255	0–100%
4	Inclinaison précis	000 ⇔ 255	Contrôle précis (16-bit)
5	Vitesse pan/tilt	000 ⇔ 255	Rapide à lent
6	Gradateur	000 ⇔ 255	0–100%
7	Gradateur fin	000 ⇔ 255	Contrôle fin (16-bit)
8	Obturbateur	000 ⇔ 007	Pas de fonction
		008 ⇔ 015	Ouvert
		016 ⇔ 131	Stroboscope synchronisé, lent à rapide
		132 ⇔ 167	Fermeture rapide, ouverture lente (lent à rapide)
		168 ⇔ 203	Fermeture rapide, ouverture lente (lent à rapide)
		204 ⇔ 239	Effet de pulsation de lent à rapide
		240 ⇔ 247	Effet de aléatoire de lent à rapide
248 ⇔ 255	Ouvert		
9	Roue de couleurs	000 ⇔ 003	Ouvert
		004 ⇔ 007	Rouge
		008 ⇔ 011	Orange
		012 ⇔ 015	Cyan
		016 ⇔ 019	Vert clair
		020 ⇔ 023	Jaune clair
		024 ⇔ 027	Vert
		028 ⇔ 031	Magenta
		032 ⇔ 035	Bleu foncé
		036 ⇔ 039	Jaune foncé
		040 ⇔ 043	Bleu
		044 ⇔ 047	CTO 5600K
		048 ⇔ 051	CTO 6500K
		052 ⇔ 059	UV
		060 ⇔ 187	Demi couleurs
		188 ⇔ 219	Défilement couleur, rapide à lent
220 ⇔ 223	Arrêt		
224 ⇔ 255	Défilement inverse de couleur, rapide à lent, lent à rapide		
10	Roue de gobo 1 (voir Roue de gobos)	000 ⇔ 003	Ouvert
		004 ⇔ 006	Gobo 1
		007 ⇔ 009	Gobo 2
		010 ⇔ 012	Gobo 3
		013 ⇔ 015	Gobo 4
		016 ⇔ 018	Gobo 5
		019 ⇔ 021	Gobo 6
		022 ⇔ 024	Gobo 7
		025 ⇔ 027	Gobo 8
		028 ⇔ 030	Gobo 9
		031 ⇔ 033	Gobo 10
		034 ⇔ 036	Gobo 11
		037 ⇔ 039	Gobo 12
		040 ⇔ 042	Gobo 13
		043 ⇔ 059	Ouvert

Canal	Fonction	Valuer	Pourcentage/Configuration
10	Roue de gobo 1 (continuation)	060 ⇔ 063	Tremblement gobo 1, lent à rapide
		064 ⇔ 067	Tremblement gobo 2, lent à rapide
		068 ⇔ 071	Tremblement gobo 3, lent à rapide
		072 ⇔ 075	Tremblement gobo 4, lent à rapide
		076 ⇔ 079	Tremblement gobo 5, lent à rapide
		080 ⇔ 083	Tremblement gobo 6, lent à rapide
		084 ⇔ 087	Tremblement gobo 7, lent à rapide
		088 ⇔ 091	Tremblement gobo 8, lent à rapide
		092 ⇔ 095	Tremblement gobo 9, lent à rapide
		096 ⇔ 099	Tremblement gobo 10, lent à rapide
		100 ⇔ 103	Tremblement gobo 11, lent à rapide
		104 ⇔ 107	Tremblement gobo 12, lent à rapide
		108 ⇔ 111	Tremblement gobo 13, lent à rapide
		112 ⇔ 127	Ouvert
		128 ⇔ 189	Défilement de gobo, rapide à lent
		190 ⇔ 193	Arrêt
194 ⇔ 255	Défilement inverse de gobo, lent à rapide		
11	Roue de gobo 2 (voir Roue de gobos)	000 ⇔ 005	Ouvert (l'ouverture est réglée sur le mode Spot)
		006 ⇔ 011	Gobo 1
		012 ⇔ 017	Gobo 2
		018 ⇔ 023	Gobo 3
		024 ⇔ 029	Gobo 4
		030 ⇔ 035	Gobo 5
		036 ⇔ 041	Gobo 6
		042 ⇔ 047	Gobo 7
		048 ⇔ 053	Gobo 8
		054 ⇔ 063	Gobo 9
		064 ⇔ 073	Tremblement gobo 1, lent à rapide
		074 ⇔ 079	Tremblement gobo 2, lent à rapide
		080 ⇔ 085	Tremblement gobo 3, lent à rapide
		086 ⇔ 091	Tremblement gobo 4, lent à rapide
		092 ⇔ 097	Tremblement gobo 5, lent à rapide
		098 ⇔ 103	Tremblement gobo 6, lent à rapide
		104 ⇔ 109	Tremblement gobo 7, lent à rapide
		110 ⇔ 115	Tremblement gobo 8, lent à rapide
		116 ⇔ 121	Tremblement gobo 9, lent à rapide
		122 ⇔ 127	Ouvert
128 ⇔ 191	Défilement de gobo, rapide à lent		
192 ⇔ 255	Défilement inverse de gobo, lent à rapide		
12	Rotation de gobo 2	000 ⇔ 063	Index de gobo
		064 ⇔ 147	Rotation de gobo, lent à rapide
		148 ⇔ 231	Rotation inverse de gobo, rapide à lent
		232 ⇔ 255	Alternant rotation horaire/antihoraire, lent à rapide
13	Focus	000 ⇔ 255	0–100%
14	Focus fin	000 ⇔ 255	Contrôle fin (16-bit)
15	Zoom	000 ⇔ 255	0–100%
16	Zoom fin	000 ⇔ 255	Contrôle fin (16-bit)
17	Prisme 1	000 ⇔ 004	Pas de fonction
		005 ⇔ 255	Insertion de prisme
18	Rotation de prisme 1	000 ⇔ 127	Indice de prismes
		128 ⇔ 189	Rotation horaire, rapide à lent
		190 ⇔ 193	Arrêt
		194 ⇔ 255	Rotation antihoraire, lent à rapide

Canal	Fonction	Valuer	Pourcentage/Configuration
19	Prisme 2	000 ⇔ 004	Pas de fonction
		005 ⇔ 255	Indice de prismes
20	Rotation de prisme 2	000 ⇔ 127	Indice de prismes
		128 ⇔ 189	Rotation horaire, rapide à lent
		190 ⇔ 193	Arrêt
		194 ⇔ 255	Rotation antihoraire, lent à rapide
21	Givre	000 ⇔ 255	0–100%
22	Défraction de faisceau	000 ⇔ 007	Pas de fonction
		008 ⇔ 255	Effet de gel
23	Macros de mouvements	000 ⇔ 007	Pas de fonction
		008 ⇔ 015	Effet 1
		016 ⇔ 023	Effet 2
		024 ⇔ 031	Effet 3
		032 ⇔ 039	Effet 4
		040 ⇔ 047	Effet 5
		048 ⇔ 055	Effet 6
		056 ⇔ 063	Effet 7
		064 ⇔ 071	Effet 8
		072 ⇔ 079	Effet 9
		080 ⇔ 087	Effet 10
		088 ⇔ 095	Effet 11
		096 ⇔ 103	Effet 12
		104 ⇔ 111	Effet 13
		112 ⇔ 119	Effet 14
		120 ⇔ 127	Effet 15
		128 ⇔ 135	Effet 16
		136 ⇔ 143	Effet 17
		144 ⇔ 151	Effet 18
		152 ⇔ 159	Effet 19
		160 ⇔ 167	Effet 20
		168 ⇔ 175	Effet 21
		176 ⇔ 183	Effet 22
		184 ⇔ 191	Effet 23
		192 ⇔ 199	Effet 24
		200 ⇔ 207	Effet 25
		208 ⇔ 215	Effet 26
		216 ⇔ 223	Effet 27
		224 ⇔ 231	Effet 28
		232 ⇔ 239	Effet 29
		240 ⇔ 247	Effet 30
248 ⇔ 255	Effet 31		
24	Vitesse macros de mouvements	000 ⇔ 255	Rapide à lent

Canal	Fonction	Valuer	Pourcentage/Configuration
25	Contrôle (3 secondes de pause)	000 ⇔ 009	Pas de fonction
		010 ⇔ 019	Ventilateur de désembuage allumé, lent à rapide
		020 ⇔ 029	Désembuage du ventilateur éteint
		030 ⇔ 039	Mode conventionnel de gradation
		040 ⇔ 049	Mode linéaire de gradation
		050 ⇔ 059	Mode rapide panoramique/inclinaison
		060 ⇔ 069	Mode normal panoramique/inclinaison
		070 ⇔ 079	Noir général en panoramique/inclinaison
		080 ⇔ 089	Désactivation du noir général en panoramique/inclinaison
		090 ⇔ 099	Noir général pendant déplacement roue de couleurs
		100 ⇔ 109	Désactivation du noir général de la roue de couleurs
		110 ⇔ 119	Noir général pendant déplacement roues de gobos
		120 ⇔ 129	Désactivation noir général pendant déplacement roues de gobos
		130 ⇔ 139	Lamp allumée
		140 ⇔ 149	Réinitialisation du panoramique/inclinaison
		150 ⇔ 159	Réinitialisation de la roue de couleurs
		160 ⇔ 169	Réinitialisation de la roue de gobos
		170 ⇔ 179	Réinitialisation de l'obturateur/du prisme
		180 ⇔ 189	Pas de fonction
		190 ⇔ 199	Réinitialisation du givre/focus/zoom
		200 ⇔ 209	Tout réinitialiser
		210 ⇔ 219	Noir général de toutes les fonctions pendant le panoramique/inclinaison
220 ⇔ 229	Désactivation du noir général de toutes les fonctions pendant le panoramique/inclinaison		
230 ⇔ 239	Lampe éteinte		
240 ⇔ 247	Mode panoramique/inclinaison lisse activé		
248 ⇔ 255	Mode panoramique/inclinaison lisse desactivé		

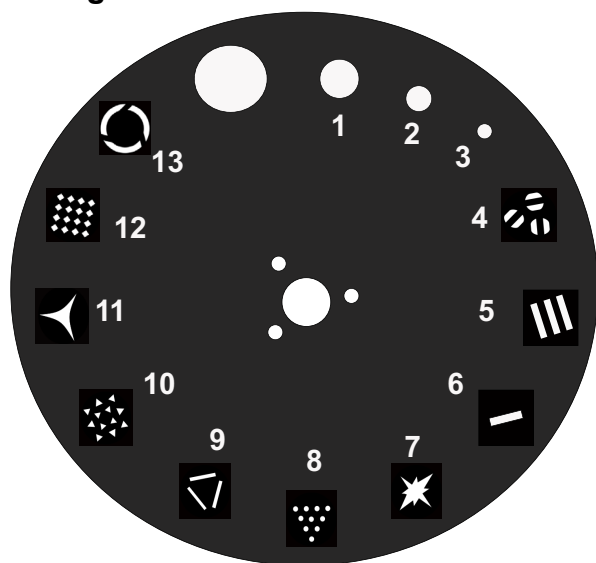
20CH

Canal	Fonction	Valuer	Pourcentage/Configuration
1	Panoramique	000 ⇔ 255	0–100%
2	Panoramique précis	000 ⇔ 255	Contrôle précis (16-bit)
3	Inclinaison	000 ⇔ 255	0–100%
4	Inclinaison précis	000 ⇔ 255	Contrôle précis (16-bit)
5	Vitesse pan/tilt	000 ⇔ 255	Rapide à lent
6	Gradateur	000 ⇔ 255	0–100%
7	Obturateur	000 ⇔ 007	Pas de fonction
		008 ⇔ 015	Ouvert
		016 ⇔ 131	Stroboscope synchronisé, lent à rapide
		132 ⇔ 167	Fermeture rapide, ouverture lente (lent à rapide)
		168 ⇔ 203	Fermeture rapide, ouverture lente (lent à rapide)
		204 ⇔ 239	Effet de pulsation de lent à rapide
		240 ⇔ 247	Effet de aléatoire de lent à rapide
		248 ⇔ 255	Ouvert
8	Roue de couleurs	000 ⇔ 003	Ouvert
		004 ⇔ 007	Rouge
		008 ⇔ 011	Orange
		012 ⇔ 015	Cyan
		016 ⇔ 019	Vert clair
		020 ⇔ 023	Jaune clair
		024 ⇔ 027	Vert
		028 ⇔ 031	Magenta
		032 ⇔ 035	Bleu foncé
		036 ⇔ 039	Jaune foncé
		040 ⇔ 043	Bleu
		044 ⇔ 047	CTO 5600K
		048 ⇔ 051	CTO 6500K
		052 ⇔ 059	UV
		060 ⇔ 187	Demi couleurs
		188 ⇔ 219	Défilement couleur, rapide à lent
220 ⇔ 223	Arrêt		
224 ⇔ 255	Défilement inverse de couleur, rapide à lent, lent à rapide		
9	Roue de gobo 1 (voir Roue de gobos)	000 ⇔ 003	Ouvert
		004 ⇔ 006	Gobo 1
		007 ⇔ 009	Gobo 2
		010 ⇔ 012	Gobo 3
		013 ⇔ 015	Gobo 4
		016 ⇔ 018	Gobo 5
		019 ⇔ 021	Gobo 6
		022 ⇔ 024	Gobo 7
		025 ⇔ 027	Gobo 8
		028 ⇔ 030	Gobo 9
		031 ⇔ 033	Gobo 10
		034 ⇔ 036	Gobo 11
		037 ⇔ 039	Gobo 12
		040 ⇔ 042	Gobo 13
		043 ⇔ 059	Ouvert

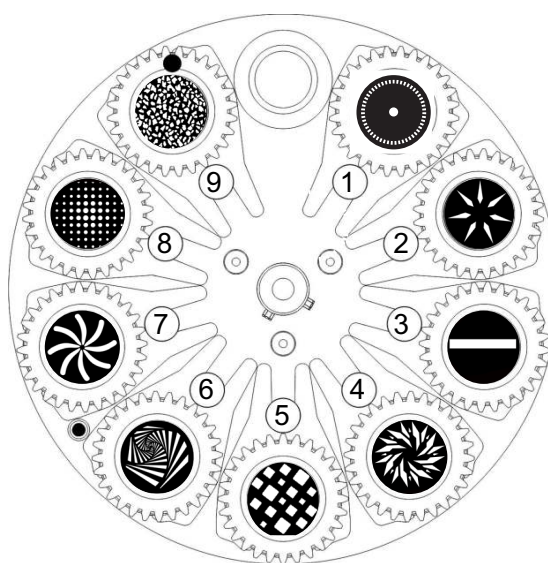
Canal	Fonction	Valuer	Pourcentage/Configuration
9	Roue de gobo 1 (continuation)	060 ⇔ 063	Tremblement gobo 1, lent à rapide
		064 ⇔ 067	Tremblement gobo 2, lent à rapide
		068 ⇔ 071	Tremblement gobo 3, lent à rapide
		072 ⇔ 075	Tremblement gobo 4, lent à rapide
		076 ⇔ 079	Tremblement gobo 5, lent à rapide
		080 ⇔ 083	Tremblement gobo 6, lent à rapide
		084 ⇔ 087	Tremblement gobo 7, lent à rapide
		088 ⇔ 091	Tremblement gobo 8, lent à rapide
		092 ⇔ 095	Tremblement gobo 9, lent à rapide
		096 ⇔ 099	Tremblement gobo 10, lent à rapide
		100 ⇔ 103	Tremblement gobo 11, lent à rapide
		104 ⇔ 107	Tremblement gobo 12, lent à rapide
		108 ⇔ 111	Tremblement gobo 13, lent à rapide
		112 ⇔ 127	Ouvert
		128 ⇔ 189	Défilement de gobo, rapide à lent
		190 ⇔ 193	Arrêt
194 ⇔ 255	Défilement inverse de gobo, lent à rapide		
10	Roue de gobo 2 (voir Roue de gobos)	000 ⇔ 005	Ouvert (l'ouverture est réglée sur le mode Spot)
		006 ⇔ 011	Gobo 1
		012 ⇔ 017	Gobo 2
		018 ⇔ 023	Gobo 3
		024 ⇔ 029	Gobo 4
		030 ⇔ 035	Gobo 5
		036 ⇔ 041	Gobo 6
		042 ⇔ 047	Gobo 7
		048 ⇔ 053	Gobo 8
		054 ⇔ 063	Gobo 9
		064 ⇔ 073	Tremblement gobo 1, lent à rapide
		074 ⇔ 079	Tremblement gobo 2, lent à rapide
		080 ⇔ 085	Tremblement gobo 3, lent à rapide
		086 ⇔ 091	Tremblement gobo 4, lent à rapide
		092 ⇔ 097	Tremblement gobo 5, lent à rapide
		098 ⇔ 103	Tremblement gobo 6, lent à rapide
		104 ⇔ 109	Tremblement gobo 7, lent à rapide
		110 ⇔ 115	Tremblement gobo 8, lent à rapide
		116 ⇔ 121	Tremblement gobo 9, lent à rapide
		122 ⇔ 127	Ouvert
128 ⇔ 191	Défilement de gobo, rapide à lent		
192 ⇔ 255	Défilement inverse de gobo, lent à rapide		
11	Rotation de gobo 2	000 ⇔ 063	Index de gobo
		064 ⇔ 147	Rotation de gobo, lent à rapide
		148 ⇔ 231	Rotation inverse de gobo, rapide à lent
		232 ⇔ 255	Alternant rotation horaire/antihoraire, lent à rapide
12	Focus	000 ⇔ 255	0–100%
13	Zoom	000 ⇔ 255	0–100%
14	Prisme 1	000 ⇔ 004	Pas de fonction
		005 ⇔ 255	Insertion de prisme
15	Rotation de prisme 1	000 ⇔ 127	Indice de prismes
		128 ⇔ 189	Rotation horaire, rapide à lent
		190 ⇔ 193	Arrêt
		194 ⇔ 255	Rotation antihoraire, lent à rapide
16	Prisme 2	000 ⇔ 004	Pas de fonction
		005 ⇔ 255	Indice de prismes

Canal	Fonction	Valuer	Pourcentage/Configuration
17	Rotation de prisme 2	000 ⇔ 127	Indice de prismes
		128 ⇔ 189	Rotation horaire, rapide à lent
		190 ⇔ 193	Arrêt
		194 ⇔ 255	Rotation antihoraire, lent à rapide
18	Givre	000 ⇔ 255	0–100%
19	Défraction de faisceau	000 ⇔ 007	Pas de fonction
		008 ⇔ 255	Effet de gel
20	Contrôle (3 secondes de pause)	000 ⇔ 009	Pas de fonction
		010 ⇔ 019	Ventilateur de désembuage allumé, lent à rapide
		020 ⇔ 029	Désembuage du ventilateur éteint
		030 ⇔ 039	Mode conventionnel de gradation
		040 ⇔ 049	Mode linéaire de gradation
		050 ⇔ 059	Mode rapide panoramique/inclinaison
		060 ⇔ 069	Mode normal panoramique/inclinaison
		070 ⇔ 079	Noir général en panoramique/inclinaison
		080 ⇔ 089	Désactivation du noir général en panoramique/inclinaison
		090 ⇔ 099	Noir général pendant déplacement roue de couleurs
		100 ⇔ 109	Désactivation du noir général de la roue de couleurs
		110 ⇔ 119	Noir général pendant déplacement roues de gobos
		120 ⇔ 129	Désactivation noir général pendant déplacement roues de gobos
		130 ⇔ 139	Lamp allumée
		140 ⇔ 149	Réinitialisation du panoramique/inclinaison
		150 ⇔ 159	Réinitialisation de la roue de couleurs
		160 ⇔ 169	Réinitialisation de la roue de gobos
		170 ⇔ 179	Réinitialisation de l'obturateur/du prisme
		180 ⇔ 189	Pas de fonction
		190 ⇔ 199	Réinitialisation du givre/focus/zoom
		200 ⇔ 209	Tout réinitialiser
		210 ⇔ 219	Noir général de toutes les fonctions pendant le panoramique/inclinaison
		220 ⇔ 229	Désactivation du noir général de toutes les fonctions pendant le panoramique/inclinaison
		230 ⇔ 239	Lampe éteinte
240 ⇔ 247	Mode panoramique/inclinaison lisse activé		
248 ⇔ 255	Mode panoramique/inclinaison lisse désactivé		

Roue de gobos



Roue de gobo 1



Roue de gobo 2

Über diese Schnellanleitung

In der Schnellanleitung des Rogue Outcast 1 Hybrid finden Sie die wesentlichen Produktinformationen, wie etwa über die Montage, Menüoptionen und DMX-Werte des Geräts. Laden Sie für weiterführende Informationen unter www.chauvetprofessional.com das Benutzerhandbuch herunter.

Haftungsausschluss

Die in dieser Anleitung aufgeführten Informationen und Spezifikationen können ohne vorherige Ankündigung geändert werden.

EINGESCHRÄNKTE GARANTIE

ZUR REGISTRIERUNG FÜR GARANTIEANSPRÜCHE UND ZUR EINSICHT IN DIE VOLLSTÄNDIGEN GESCHÄFTSBEDINGUNGEN BESUCHEN SIE BITTE UNSERE WEBSITE.

Für Kunden in den USA und in Mexiko: www.chauvetlighting.com/warranty-registration.

Für Kunden im Vereinigten Königreich, in Irland, Belgien, den Niederlanden, Luxemburg, Frankreich und Deutschland: www.chauvetlighting.eu/warranty-registration.

Chauvet garantiert für die in der auf unserer Website veröffentlichten vollständigen eingeschränkten Garantie genannten Dauer und unter Vorbehalt der darin genannten Haftungsausschlüsse und -beschränkungen, dass dieses Produkt bei normalen Gebrauch frei von Material- und Verarbeitungsfehlern ist. Diese Garantie erstreckt sich nur auf den Erstkäufer des Produkts und ist nicht übertragbar. Zur Ausübung der unter dieser Garantie gewährten Rechte ist der Kaufbeleg in Form der Originalrechnung von einem autorisierten Händler vorzulegen, in der die Produktbezeichnung und das Kaufdatum vermerkt sein müssen. **ES BESTEHEN KEINE WEITEREN AUSDRÜCKLICHEN ODER STILLSCHWEIGENDEN GARANTIEN.** Diese Garantie gibt Ihnen besondere gesetzliche Rechte. Und Sie haben möglicherweise weitere Rechte, die von Land zu Land unterschiedlich sein können. Diese Garantie ist nur in den USA, im Vereinigten Königreich, in Irland, Belgien, den Niederlanden, Luxemburg, Frankreich, Deutschland und Mexiko gültig. Bezüglich der Garantiebestimmungen in anderen Ländern wenden Sie sich bitte an Ihren lokalen Händler.

Sicherheitshinweise

- Dieses Gerät NICHT öffnen. Die eingebauten Komponenten sind für den Kunden wartungsfrei.
- NIEMALS in die Lichtquelle schauen, während das Gerät eingeschaltet ist.
- Um unnötigen Verschleiß zu vermeiden und die Lebensdauer des Geräts zu verlängern, trennen Sie während längerer Perioden des Nichtgebrauchs das Gerät vom Stromnetz – entweder per Trennschalter oder durch Herausziehen des Steckers aus der Steckdose.
- VORSICHT: Beim Transport des Geräts von einer Umgebung mit außergewöhnlichen Temperaturen in eine andere solche Umgebung (z. B. aus einem kalten Transporter in einen warm-feuchten Ballsaal) kann an der im Gerät enthaltenen Elektronik Wasser kondensieren. Um einen Defekt zu vermeiden, muss sich das Gerät erst in der neuen Umgebung akklimatisiert haben, bevor es an die Stromversorgung angeschlossen werden kann.
- VORSICHT: Das Gehäuse dieses Produkts kann während des Betriebs heiß werden.
- Installieren Sie das Gerät an einem Ort mit ausreichender Belüftung und mit einem Abstand von mindestens 50 cm zu den angrenzenden Flächen.
- Belassen Sie KEINE entflammaren Materialien in einem Umkreis von 50 cm dieses Geräts, während es in Betrieb oder an der Stromversorgung angeschlossen ist.
- VERWENDEN Sie bei Montage über Kopf immer ein Sicherheitsseil.
- Dieses Produkt ist für die vorübergehende Verwendung im Freien vorgesehen, nicht für die Installation (IP54).
- NIEMALS das Gerät in Betrieb nehmen, wenn Ihnen das Gehäuse, die Linsen oder das Kabel beschädigt erscheinen.
- Schließen Sie dieses Gerät NICHT an einen Dimmer oder Regelwiderstand an.
- Schließen Sie dieses Produkt NUR an einen mit der Erde verbundenen und geschützten Stromkreis an.
- Das Gerät NUR an den Hänge-/Befestigungsbügeln oder Griffen tragen.
- Bei ernsthaften Betriebsproblemen stoppen Sie umgehend die Verwendung des Geräts.
- Die maximal zulässige Umgebungstemperatur beträgt 45 °C. Nehmen Sie das Gerät nicht bei höheren Temperaturen in Betrieb.

Kontakt

Kunden außerhalb der USA, GB, Irland, Benelux, Frankreich, Deutschland oder Mexiko wenden sich an ihren Lieferanten, um den Kundensupport in Anspruch zu nehmen oder ein Produkt zurückzuschicken. Kontaktinformationen finden Sie im [Contact Us](#) am Ende dieses QRG.

Packungsinhalt

- Rogue Outcast 1 Hybrid mit Blendschutz
- Seetronic Powerkon IP65 Netzkabel
- 2 Omega-Hängebügel mit Montagematerial
- Schnellanleitung

Wechselstrom

Dieses Gerät verfügt über ein Vorschaltgerät, das automatisch die anliegende Spannung erkennt, sobald der Netzstecker in die Schukosteckdose gesteckt wird, und kann mit einer Eingangsspannung von 100~240 V AC, 50/60 Hz arbeiten.

Wechselstromstecker

Anschluss	Draht (USA)	Draht (Europa)	Schraubenfarbe
Stromführender AC-Leiter	Schwarz	Braun	Gelb/Messingfarben
AC-Neutralleiter	Weiß	Blau	Silber
AC-Erdungsleiter	Grün/Gelb	Grün/Gelb	Grün



Um unnötigen Verschleiß zu vermeiden und die Lebensdauer des Geräts zu verlängern, trennen Sie während längerer Perioden des Nichtgebrauchs das Gerät vom Stromnetz – entweder per Trennschalter oder durch Herausziehen des Steckers aus der Steckdose.

Auswechseln der Sicherung

1. Trennen Sie das Gerät vom Stromnetz.
2. Mit einem Flachkopfschraubendreher lösen Sie die Abdeckung des Sicherungshalters vom Gehäuse.
3. Entfernen Sie die durchgebrannte Sicherung, und ersetzen Sie diese durch eine Sicherung des gleichen Typs und mit den gleichen Werten (T 8 A, 250 V).
4. Schrauben Sie die Abdeckung der Sicherung wieder ein, und schließen Sie das Gerät wieder an das Stromnetz an.

DMX-Verbindung

Der Rogue Outcast 1 Hybrid funktioniert mit einem DMX-Controller über eine 5-polige IP-bewertete serielle DMX-Verbindung. Sie können sich eine Einführung in DMX unter www.chauvetprofessional.com herunterladen.

DMX-Anschluss

Der Rogue Outcast 1 Hybrid nutzt zur seiner Kontrollpersönlichkeiten: **20CH** und **25CH** eine 5-polige IP-bewertete DMX-Datenverbindung. Informationen zum Anschließen und Konfigurieren des Geräts für einen DMX-Betrieb finden Sie in der Bedienungsanleitung.

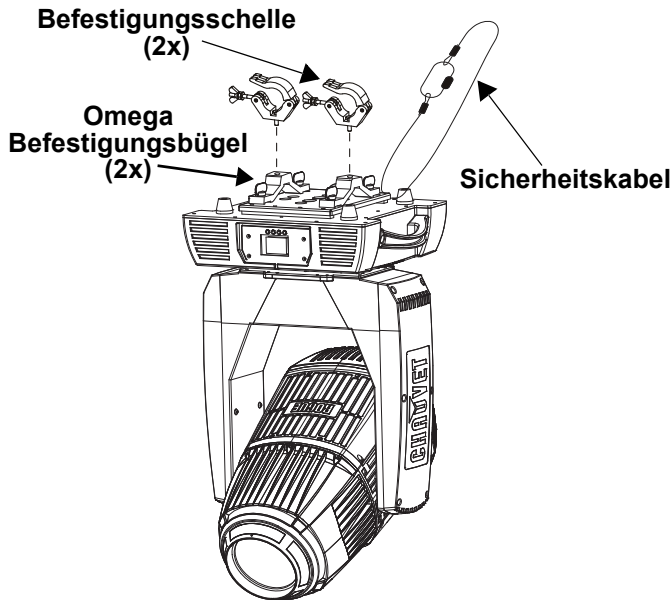
RDM (Remote Device Management)

Remote Device Management bzw. RDM ist ein Standard, mit dem DMX-aktivierte Geräte bidirektional entlang bestehender DMX-Kabel kommunizieren können. Lesen Sie die Bedienungsanleitung des DMX-Controllers oder wenden Sie sich an den Hersteller, da nicht alle DMX-Controller über diese Funktion verfügt. Der Rogue Outcast 1 Hybrid unterstützt das RDM-Protokoll, das ein Feedback zur Vornahme von Änderungen der Menüoptionen erlaubt. Laden Sie für weiterführende Informationen unter www.chauvetprofessional.com das Benutzerhandbuch herunter.

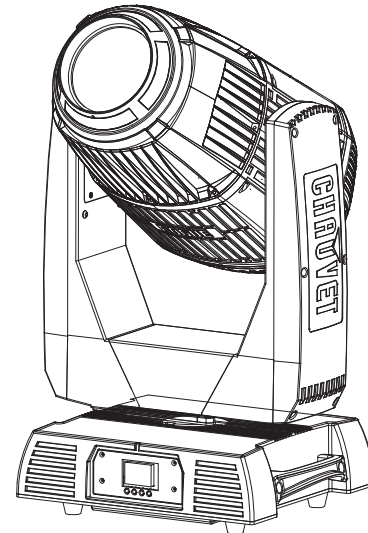
Montage

Lesen Sie vor der Montage dieses Gerats die [Sicherheitshinweise](#) durch. Mindestens ein Befestigungspunkt pro Gerat verwenden. Stellen Sie sicher, dass die Befestigungsklemmen dafur ausgelegt sind, das Produktgewicht tragen zu konnen. Informationen zu unserer CHAUVET-Produktlinie fur Befestigungsklemmen finden Sie unter <http://trusst.com/productcategory/truss-clamps/>.

Montageansicht



Montage uber Kopf



Oberflachenmontage

Beschreibung des Bedienfeldes

Taste	Funktion
<MENU>	Damit verlassen Sie das aktuelle Menu oder die Funktion
<ENTER>	Damit wird das aktuell angezeigte Menu aktiviert oder der aktuell ausgewahlte Wert einer Funktion eingestellt
<UP>	Damit navigieren Sie sich durch die Menupunkte nach oben und erhohen den numerischen Wert der entsprechenden Funktion
<DOWN>	Damit navigieren Sie sich durch die Menupunkte nach unten und verringern den numerischen Wert der entsprechenden Funktion

Menüstruktur

Hauptebene	Programmirebenen		Beschreibung	
Address	001–512		Stellt die Startadresse ein	
Run Mode	DMX	20CH	Wählt die DMX-Persönlichkeit aus	
		25CH		
	Auto Test		Automatischer Test aller Funktionen	
	Manual Test	Pan		0–255 Manuelle Steuerung und Test aller Einstellungen vom Bedienfeld aus
		Pan Fine		
		Tilt		
		Tilt Fine		
		P/T Speed		
		Dimmer		
		Dimmer Fine		
Shutter				
Color				
Gobo 2				
Gobo				
Gobo Rotate				
Focus				
Focus Fine				
Zoom				
Zoom Fine				
Prism1				
Prism1 Rotate				
Prism2				
Prism2 Rotate				
Frost1				
Frost2				
P/T Macro				
P/T Ma. Speed				
Special Function				
Setup	Pan Reverse	YES	Umgekehrte Schwenkung	
		NO	Schwenk Normal	
	Tilt Reverse	YES	Umgekehrte Neigung	
		NO	Neigung Normal	
	Screen Reverse	YES	Umgekehrte Anzeige	
		NO	Normal Anzeige	
		AUT	Automatische Anzeige	
	Pan Angle	540	Schwenkungsbereich 540°	
		360	Schwenkungsbereich 360°	
		180	Schwenkungsbereich 180°	
	Tilt Angle	260	Neigungsbereich 260°	
		180	Neigungsbereich 180°	
		90	Neigungsbereich 90°	
	BL. O. P/T Move	YES	Während Schwenkung/Neigung verdunkeln	
		NO	Während Schwenkung/Neigung nicht verdunkeln	
	BL. O. Color Move	YES	Während das Farbrad bewegt verdunkeln	
		NO	Während das Farbrad bewegt nicht verdunkeln	
	BL. O. Gobo Move	YES	Während das Goborad bewegt verdunkeln	
NO		Während das Goborad bewegt nicht verdunkeln		

Hauptebene	Programmirebenen		Beschreibung	
Setup (Fortsetzung)	Lamp Settings	On/Off	YES NO	Schaltet die Lampe ein/aus
		State/Power On	YES NO	Definiert den Status der Lampe beim Einschalten des Produkts
		Off via DMX	YES NO	Schaltet das Gerät über den DMX-Controller aus
		On if DMX On	YES NO	Schaltet die Lampe ein, wenn ein DMX-Signal erkannt wird
		Off if DMX Off	YES NO	Schaltet die Lampe aus, wenn ein DMX-Signal erkannt wird
		Ignition Delay	0–255	Wählt die Verzögerungsdauer zwischen dem Einschalten des Produkts und dem Einschalten der Lampe
		Low Power Delay	0–255	Wählt die Dauer der Verzögerung aus, wenn der Verschluss geschlossen ist und die Lampe in den Energiesparmodus wechselt
		Reset Lamp Time	YES NO	Setzen Sie den Lampentimer auf 0 zurück Lässt die Lampenzeit unverändert
	Maintenance Timer	Interval	10–250	Definiert die Anzahl der Stunden zwischen den Wartungsarbeiten
		Remaining Time	10–250	Zeigt die verbleibende Zeit im Wartungszyklus an
	Reset Function	Pan/Tilt	YES/NO	Setzt einzelne oder alle Funktionen ab Start zurück
		Shutter/Prism		
		Color		
		Gobo		
		Zoom/ Frost/ Focus		
	Factory Settings	YES	NO	Setzt auf die standardmäßigen Werkseinstellungen zurück
		NO		
	Sys Info	Display Ver	V_	Zeigt die angezeigte Version an
		PanTilt Ver	V_	Zeigt die Pan / Tilt-Version an
		Prism Ver	V_	Zeigt die Prismenversion an
Gobo Ver		V_	Zeigt die Gobo-Version an	
Other Ver		V_	Zeigt eine andere Version an	
Running Mode		---	Zeigt den aktuellen Betriebsmodus an	
DMX Address		---	Zeigt aktuelle Persönlichkeit	
Lamp On Time		-----	Zeigt die Lampe pünktlich an	
Remain Time		-----	Zeigt die Lampenwartungszeit an	
Temperature1		---	Zeigt die aktuelle Temperatur in °C an	
Temperature2		---		
Voltage		---	Zeigt die Lampenspannung an	
Current		---	Zeigt den Lampenstrom an	
Power		---	Zeigt die Lampenleistung an	
Fan Speed		---	Zeigt die Lüftergeschwindigkeit an	
Fan 1–5		---	Zeigt die Geschwindigkeit der Lüfter 1–5 an	
UID	-----	Zeigt UID-Informationen an		

**DMX Werte
25CH**

Kanal	Funktion	Wert	Prozent/Einstellung
1	Schwenkung	000 ⇔ 255	0–100%
2	Feinschwenkung	000 ⇔ 255	Feinkontrolle (16-Bit)
3	Neigung	000 ⇔ 255	0–100%
4	Feinneigung	000 ⇔ 255	Feinkontrolle (16-Bit)
5	S/N Geschwindigkeit	000 ⇔ 255	Schwenkung/Neigung Geschwindigkeit, schnell bis langsam
6	Dimmer	000 ⇔ 255	0–100%
7	Feine Dimmer	000 ⇔ 255	Feinkontrolle (16-Bit)
8	Shutter	000 ⇔ 007	Keine Funktion
		008 ⇔ 015	An
		016 ⇔ 131	Synchronisierter Blitz, langsam bis schnell
		132 ⇔ 167	Schnell aus, langsam ein (langsam bis schnell)
		168 ⇔ 203	Langsam aus, schnell ein (langsam bis schnell)
		204 ⇔ 239	Pulse-Effekt, langsam bis schnell
		240 ⇔ 247	Zufälliger Effekt, langsam bis schnell
		248 ⇔ 255	An
9	Farbkreis	000 ⇔ 003	Öffnen
		004 ⇔ 007	Rot
		008 ⇔ 011	Orange
		012 ⇔ 015	Cyan
		016 ⇔ 019	Hellgrün
		020 ⇔ 023	Hellgelb
		024 ⇔ 027	Grün
		028 ⇔ 031	Magenta
		032 ⇔ 035	Dunkelblau
		036 ⇔ 039	Dunkelgelb
		040 ⇔ 043	Blau
		044 ⇔ 047	CTO 5600K
		048 ⇔ 051	CTO 6500K
		052 ⇔ 059	UV
		060 ⇔ 187	Farben teilen
188 ⇔ 219	Farbrolle im Uhrzeigersinn, schnell bis langsam		
220 ⇔ 223	Halt		
224 ⇔ 255	Farbrolle gegen den Uhrzeigersinn, langsam bis schnell		
10	Goborad 1 (siehe Goboräder)	000 ⇔ 003	Öffnen
		004 ⇔ 006	Gobo 1
		007 ⇔ 009	Gobo 2
		010 ⇔ 012	Gobo 3
		013 ⇔ 015	Gobo 4
		016 ⇔ 018	Gobo 5
		019 ⇔ 021	Gobo 6
		022 ⇔ 024	Gobo 7
		025 ⇔ 027	Gobo 8
		028 ⇔ 030	Gobo 9
		031 ⇔ 033	Gobo 10
		034 ⇔ 036	Gobo 11
		037 ⇔ 039	Gobo 12
		040 ⇔ 042	Gobo 13
		043 ⇔ 059	Öffnen

Kanal	Funktion	Wert	Prozent/Einstellung
10	Goborad 1 (Forsetzung)	060 ⇔ 063	Gobo 1 schütteln, langsam bis schnell
		064 ⇔ 067	Gobo 2 schütteln, langsam bis schnell
		068 ⇔ 071	Gobo 3 schütteln, langsam bis schnell
		072 ⇔ 075	Gobo 4 schütteln, langsam bis schnell
		076 ⇔ 079	Gobo 5 schütteln, langsam bis schnell
		080 ⇔ 083	Gobo 6 schütteln, langsam bis schnell
		084 ⇔ 087	Gobo 7 schütteln, langsam bis schnell
		088 ⇔ 091	Gobo 8 schütteln, langsam bis schnell
		092 ⇔ 095	Gobo 9 schütteln, langsam bis schnell
		096 ⇔ 099	Gobo 10 schütteln, langsam bis schnell
		100 ⇔ 103	Gobo 11 schütteln, langsam bis schnell
		104 ⇔ 107	Gobo 12 schütteln, langsam bis schnell
		108 ⇔ 111	Gobo 13 schütteln, langsam bis schnell
		112 ⇔ 127	Öffnen
		128 ⇔ 189	Gobo-Scroll im Uhrzeigersinn, schnell bis langsam
		190 ⇔ 193	Halt
194 ⇔ 255	Gobo-Scroll gegen den Uhrzeigersinn, langsam bis schnell		
11	Goborad 2 (siehe Goboräder)	000 ⇔ 005	Öffnen (Blende auf Spot-Modus eingestellt)
		006 ⇔ 011	Gobo 1
		012 ⇔ 017	Gobo 2
		018 ⇔ 023	Gobo 3
		024 ⇔ 029	Gobo 4
		030 ⇔ 035	Gobo 5
		036 ⇔ 041	Gobo 6
		042 ⇔ 047	Gobo 7
		048 ⇔ 053	Gobo 8
		054 ⇔ 063	Gobo 9
		064 ⇔ 073	Gobo 1 schütteln, langsam bis schnell
		074 ⇔ 079	Gobo 2 schütteln, langsam bis schnell
		080 ⇔ 085	Gobo 3 schütteln, langsam bis schnell
		086 ⇔ 091	Gobo 4 schütteln, langsam bis schnell
		092 ⇔ 097	Gobo 5 schütteln, langsam bis schnell
		098 ⇔ 103	Gobo 6 schütteln, langsam bis schnell
		104 ⇔ 109	Gobo 7 schütteln, langsam bis schnell
		110 ⇔ 115	Gobo 8 schütteln, langsam bis schnell
		116 ⇔ 121	Gobo 9 schütteln, langsam bis schnell
		122 ⇔ 127	Öffnen
128 ⇔ 191	Gobo-Scroll im Uhrzeigersinn, schnell bis langsam		
192 ⇔ 255	Gobo-Scroll gegen den Uhrzeigersinn, langsam bis schnell		
12	Goborad 2 Umdrehung	000 ⇔ 063	Gobo-Index
		064 ⇔ 147	Drehung im Uhrzeigersinn, langsam bis schnell
		148 ⇔ 231	Drehung gegen den Uhrzeigersinn, schnell bis langsam
		232 ⇔ 255	Wechselnde Drehung im Uhrzeigersinn / gegen den Uhrzeigersinn, langsam bis schnell
13	Fokus	000 ⇔ 255	0–100%
14	Feiner Fokus	000 ⇔ 255	Feinkontrolle (16-Bit)
15	Zoom	000 ⇔ 255	0–100%
16	Feiner Zoom	000 ⇔ 255	Feinkontrolle (16-Bit)
17	Prisma 1	000 ⇔ 004	Keine Funktion
		005 ⇔ 255	Prismeneinsatz

SCHNELLANLEITUNG



DE

Kanal	Funktion	Wert	Prozent/Einstellung
18	Prisma 1 Drehung	000 ⇔ 127	Prismeindex
		128 ⇔ 189	Drehung im Uhrzeigersinn, langsam bis schnell
		190 ⇔ 193	Halt
		194 ⇔ 255	Drehung gegen den Uhrzeigersinn, schnell bis langsam
19	Prisma 2	000 ⇔ 004	Keine Funktion
		005 ⇔ 255	Prismeindex
20	Prisma 2 Drehung	000 ⇔ 127	Prismeindex
		128 ⇔ 189	Drehung im Uhrzeigersinn, langsam bis schnell
		190 ⇔ 193	Halt
		194 ⇔ 255	Drehung gegen den Uhrzeigersinn, schnell bis langsam
21	Frosteffekt	000 ⇔ 255	0–100%
22	Strahlbeugung	000 ⇔ 007	Keine Funktion
		008 ⇔ 255	Frosteffekt
23	Bewegungsmakros	000 ⇔ 007	Keine Funktion
		008 ⇔ 015	Effekt 1
		016 ⇔ 023	Effekt 2
		024 ⇔ 031	Effekt 3
		032 ⇔ 039	Effekt 4
		040 ⇔ 047	Effekt 5
		048 ⇔ 055	Effekt 6
		056 ⇔ 063	Effekt 7
		064 ⇔ 071	Effekt 8
		072 ⇔ 079	Effekt 9
		080 ⇔ 087	Effekt 10
		088 ⇔ 095	Effekt 11
		096 ⇔ 103	Effekt 12
		104 ⇔ 111	Effekt 13
		112 ⇔ 119	Effekt 14
		120 ⇔ 127	Effekt 15
		128 ⇔ 135	Effekt 16
		136 ⇔ 143	Effekt 17
		144 ⇔ 151	Effekt 18
		152 ⇔ 159	Effekt 19
		160 ⇔ 167	Effekt 20
		168 ⇔ 175	Effekt 21
		176 ⇔ 183	Effekt 22
		184 ⇔ 191	Effekt 23
		192 ⇔ 199	Effekt 24
		200 ⇔ 207	Effekt 25
		208 ⇔ 215	Effekt 26
		216 ⇔ 223	Effekt 27
		224 ⇔ 231	Effekt 28
		232 ⇔ 239	Effekt 29
		240 ⇔ 247	Effekt 30
248 ⇔ 255	Effekt 31		
24	Geschwindigkeit der Bewegungsmakros	000 ⇔ 255	Schnell bis langsam

Kanal	Funktion	Wert	Prozent/Einstellung
25	Steuerung (3 Sek. Gedrückt halten)	000 ⇔ 009	Keine Funktion
		010 ⇔ 019	Lüfter an, langsam bis schnell
		020 ⇔ 029	Lüfter ausschalten
		030 ⇔ 039	Dimmer konventioneller Modus
		040 ⇔ 049	Dimmer linearer Modus
		050 ⇔ 059	Schneller Pan/Tilt-Modus
		060 ⇔ 069	Normaler Pan/Tilt-Modus
		070 ⇔ 079	Blackout während Pan/Tilt
		080 ⇔ 089	Pan/Tilt-Blackout deaktivieren
		090 ⇔ 099	Blackout während sich das Farbrad bewegt
		100 ⇔ 109	Farbkreis-Blackout deaktivieren
		110 ⇔ 119	Blackout während sich Gaboräder bewegen
		120 ⇔ 129	Goborad-Blackout deaktivieren
		130 ⇔ 139	Lampe an
		140 ⇔ 149	Schwenk-/Neige-Reset
		150 ⇔ 159	Farbrad zurückgesetzt
		160 ⇔ 169	Goborad zurückgesetzt
		170 ⇔ 179	Shutter / Prisma zurückgesetzt
		180 ⇔ 189	Keine Funktion
		190 ⇔ 199	Frost/Fokus/Zoom zurücksetzen
		200 ⇔ 209	Alles zurückgesetzt
		210 ⇔ 219	Beim Schwenken / Neigen sind alle Funktionen deaktiviert
		220 ⇔ 229	Deaktivieren Sie die Blackout-Funktion während des Schwenkens / Neigens
		230 ⇔ 239	Lampe aus
		240 ⇔ 247	Pan / Tilt Smooth-Modus ein
248 ⇔ 255	Pan / Tilt Smooth-Modus aus		

DE

20CH

Kanal	Funktion	Wert	Prozent/Einstellung
1	Schwenkung	000 ⇔ 255	0–100%
2	Feinschwenkung	000 ⇔ 255	Feinkontrolle (16-Bit)
3	Neigung	000 ⇔ 255	0–100%
4	Feinneigung	000 ⇔ 255	Feinkontrolle (16-Bit)
5	S/N Geschwindigkeit	000 ⇔ 255	Schwenkung/Neigung Geschwindigkeit, schnell bis langsam
6	Dimmer	000 ⇔ 255	0–100%
7	Shutter	000 ⇔ 007	Keine Funktion
		008 ⇔ 015	An
		016 ⇔ 131	Synchronisierter Blitz, langsam bis schnell
		132 ⇔ 167	Schnell aus, langsam ein (langsam bis schnell)
		168 ⇔ 203	Langsam aus, schnell ein (langsam bis schnell)
		204 ⇔ 239	Pulse-Effekt, langsam bis schnell
		240 ⇔ 247	Zufälliger Effekt, langsam bis schnell
		248 ⇔ 255	An
8	Farbkreis	000 ⇔ 003	Öffnen
		004 ⇔ 007	Rot
		008 ⇔ 011	Orange
		012 ⇔ 015	Cyan
		016 ⇔ 019	Hellgrün
		020 ⇔ 023	Hellgelb
		024 ⇔ 027	Grün
		028 ⇔ 031	Magenta
		032 ⇔ 035	Dunkelblau
		036 ⇔ 039	Dunkelgelb
		040 ⇔ 043	Blau
		044 ⇔ 047	CTO 5600K
		048 ⇔ 051	CTO 6500K
		052 ⇔ 059	UV
		060 ⇔ 187	Farben teilen
		188 ⇔ 219	Farbrolle im Uhrzeigersinn, schnell bis langsam
220 ⇔ 223	Halt		
224 ⇔ 255	Farbrolle gegen den Uhrzeigersinn, langsam bis schnell		
9	Goborad 1 (siehe Goboräder)	000 ⇔ 003	Öffnen
		004 ⇔ 006	Gobo 1
		007 ⇔ 009	Gobo 2
		010 ⇔ 012	Gobo 3
		013 ⇔ 015	Gobo 4
		016 ⇔ 018	Gobo 5
		019 ⇔ 021	Gobo 6
		022 ⇔ 024	Gobo 7
		025 ⇔ 027	Gobo 8
		028 ⇔ 030	Gobo 9
		031 ⇔ 033	Gobo 10
		034 ⇔ 036	Gobo 11
		037 ⇔ 039	Gobo 12
		040 ⇔ 042	Gobo 13
		043 ⇔ 059	Öffnen

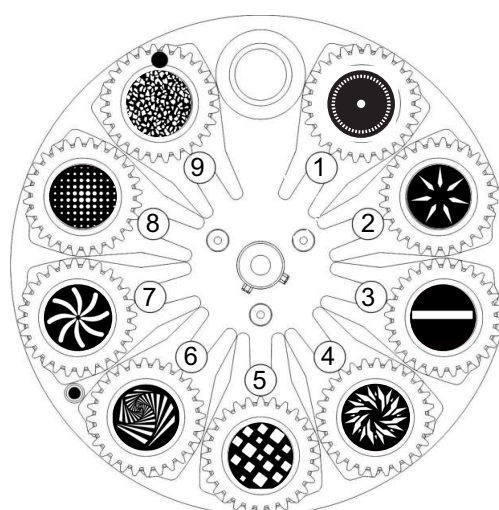
Kanal	Funktion	Wert	Prozent/Einstellung
9	Goborad 1 (Forsetzung)	060 ⇔ 063	Gobo 1 schütteln, langsam bis schnell
		064 ⇔ 067	Gobo 2 schütteln, langsam bis schnell
		068 ⇔ 071	Gobo 3 schütteln, langsam bis schnell
		072 ⇔ 075	Gobo 4 schütteln, langsam bis schnell
		076 ⇔ 079	Gobo 5 schütteln, langsam bis schnell
		080 ⇔ 083	Gobo 6 schütteln, langsam bis schnell
		084 ⇔ 087	Gobo 7 schütteln, langsam bis schnell
		088 ⇔ 091	Gobo 8 schütteln, langsam bis schnell
		092 ⇔ 095	Gobo 9 schütteln, langsam bis schnell
		096 ⇔ 099	Gobo 10 schütteln, langsam bis schnell
		100 ⇔ 103	Gobo 11 schütteln, langsam bis schnell
		104 ⇔ 107	Gobo 12 schütteln, langsam bis schnell
		108 ⇔ 111	Gobo 13 schütteln, langsam bis schnell
		112 ⇔ 127	Öffnen
		128 ⇔ 189	Gobo-Scroll im Uhrzeigersinn, schnell bis langsam
		190 ⇔ 193	Halt
194 ⇔ 255	Gobo-Scroll gegen den Uhrzeigersinn, langsam bis schnell		
10	Goborad 2 (siehe Goboräder)	000 ⇔ 005	Öffnen (Blende auf Spot-Modus eingestellt)
		006 ⇔ 011	Gobo 1
		012 ⇔ 017	Gobo 2
		018 ⇔ 023	Gobo 3
		024 ⇔ 029	Gobo 4
		030 ⇔ 035	Gobo 5
		036 ⇔ 041	Gobo 6
		042 ⇔ 047	Gobo 7
		048 ⇔ 053	Gobo 8
		054 ⇔ 063	Gobo 9
		064 ⇔ 073	Gobo 1 schütteln, langsam bis schnell
		074 ⇔ 079	Gobo 2 schütteln, langsam bis schnell
		080 ⇔ 085	Gobo 3 schütteln, langsam bis schnell
		086 ⇔ 091	Gobo 4 schütteln, langsam bis schnell
		092 ⇔ 097	Gobo 5 schütteln, langsam bis schnell
		098 ⇔ 103	Gobo 6 schütteln, langsam bis schnell
		104 ⇔ 109	Gobo 7 schütteln, langsam bis schnell
		110 ⇔ 115	Gobo 8 schütteln, langsam bis schnell
		116 ⇔ 121	Gobo 9 schütteln, langsam bis schnell
		122 ⇔ 127	Öffnen
128 ⇔ 191	Gobo-Scroll im Uhrzeigersinn, schnell bis langsam		
192 ⇔ 255	Gobo-Scroll gegen den Uhrzeigersinn, langsam bis schnell		
11	Goborad 2 Umdrehung	000 ⇔ 063	Gobo-Index
		064 ⇔ 147	Drehung im Uhrzeigersinn, langsam bis schnell
		148 ⇔ 231	Drehung gegen den Uhrzeigersinn, schnell bis langsam
		232 ⇔ 255	Wechselnde Drehung im Uhrzeigersinn / gegen den Uhrzeigersinn, langsam bis schnell
12	Fokus	000 ⇔ 255	0–100%
13	Zoom	000 ⇔ 255	0–100%
14	Prisma 1	000 ⇔ 004	Keine Funktion
		005 ⇔ 255	Prismeneinsatz
15	Prisma 1 Drehung	000 ⇔ 127	Prismeindex
		128 ⇔ 189	Drehung im Uhrzeigersinn, langsam bis schnell
		190 ⇔ 193	Halt
		194 ⇔ 255	Drehung gegen den Uhrzeigersinn, schnell bis langsam

Kanal	Funktion	Wert	Prozent/Einstellung
16	Prisma 2	000 ⇔ 004	Keine Funktion
		005 ⇔ 255	Prismeindex
17	Prisma 2 Drehung	000 ⇔ 127	Prismeindex
		128 ⇔ 189	Drehung im Uhrzeigersinn, langsam bis schnell
		190 ⇔ 193	Halt
		194 ⇔ 255	Drehung gegen den Uhrzeigersinn, schnell bis langsam
18	Frosteffekt	000 ⇔ 255	0–100%
19	Strahlbeugung	000 ⇔ 007	Keine Funktion
		008 ⇔ 255	Frosteffekt
20	Steuerung (3 Sek. Gedrückt halten)	000 ⇔ 009	Keine Funktion
		010 ⇔ 019	Lüfter an, langsam bis schnell
		020 ⇔ 029	Lüfter ausschalten
		030 ⇔ 039	Dimmer konventioneller Modus
		040 ⇔ 049	Dimmer linearer Modus
		050 ⇔ 059	Schneller Pan/Tilt-Modus
		060 ⇔ 069	Normaler Pan/Tilt-Modus
		070 ⇔ 079	Blackout während Pan/Tilt
		080 ⇔ 089	Pan/Tilt-Blackout deaktivieren
		090 ⇔ 099	Blackout während sich das Farbrad bewegt
		100 ⇔ 109	Farbkreis-Blackout deaktivieren
		110 ⇔ 119	Blackout während sich Goboräder bewegen
		120 ⇔ 129	Goborad-Blackout deaktivieren
		130 ⇔ 139	Lampe an
		140 ⇔ 149	Schwenk-/Neige-Reset
		150 ⇔ 159	Farbrad zurückgesetzt
		160 ⇔ 169	Goborad zurückgesetzt
		170 ⇔ 179	Shutter / Prisma zurückgesetzt
		180 ⇔ 189	Keine Funktion
		190 ⇔ 199	Frost/Fokus/Zoom zurücksetzen
		200 ⇔ 209	Alles zurückgesetzt
		210 ⇔ 219	Beim Schwenken / Neigen sind alle Funktionen deaktiviert
		220 ⇔ 229	Deaktivieren Sie die Blackout-Funktion während des Schwenkens / Neigens
		230 ⇔ 239	Lampe aus
		240 ⇔ 247	Pan / Tilt Smooth-Modus ein
		248 ⇔ 255	Pan / Tilt Smooth-Modus aus

Goboräder



Goborad 1



Goborad 2

Over deze handleiding

De Rogue Outcast 1 Hybrid Beknopte Handleiding (BH) bevat basisinformatie over het product, zoals aansluiting, montage, menu-opties en DMX-waarden. Download de gebruikershandleiding op www.chauvetprofessional.com voor meer informatie.

Disclaimer

De informatie en specificaties in deze BH kunnen zonder voorafgaande kennisgeving worden gewijzigd.

BEPERKTE GARANTIE

GA NAAR ONZE WEBSITE VOOR REGISTRATIE VAN DE GARANTIE EN DE VOLLEDIGE ALGEMENE VOORWAARDEN.

Voor klanten in de Verenigde Staten en Mexico: www.chauvetlighting.com/warranty-registration.

Voor klanten in het Verenigd Koninkrijk, Ierland, België, Nederland, Luxemburg, Frankrijk en Duitsland: www.chauvetlighting.eu/warranty-registration.

Chauvet garandeert dat dit product bij normaal gebruik vrij zal blijven van defecten in materiaal en vakmanschap, voor de opgegeven periode en onder voorbehoud van de uitzonderingen en beperkingen die zijn uiteengezet in de volledige beperkte garantie op onze website. Deze garantie geldt uitsluitend voor de oorspronkelijke koper van het product en is niet overdraagbaar. Om onder deze garantie rechten uit te oefenen, moet u een aankoopbewijs overleggen in de vorm van een origineel verkoopbewijs van een geautoriseerde dealer, waarop de naam van het product en de aankoopdatum zichtbaar zijn. ER ZIJN GEEN ANDERE EXPLICIETE OF IMPLICIETE GARANTIES. Deze garantie geeft u specifieke wettelijke rechten. Mogelijk heeft u ook andere rechten die van staat tot staat en van land tot land verschillen. Deze garantie is uitsluitend geldig in de Verenigde Staten, het Verenigd Koninkrijk, Ierland, België, Nederland, Luxemburg, Frankrijk, Duitsland en Mexico. Neem contact op met uw lokale verkoper voor garantievoorwaarden in andere landen.

Veiligheidsinstructies

- Open het product NIET. Het bevat geen te onderhouden onderdelen.
- KIJK NIET in de lichtbron wanneer het apparaat is ingeschakeld.
- Om onnodige slijtage te elimineren en zijn levensduur te verlengen, gedurende perioden wanneer het product niet wordt gebruikt, moet u het product van de stroom afsluiten door een aardlekschakelaar om te zetten of door het te ontkoppelen.
- LET OP: Bij het verplaatsen van het product uit extreme omgevingen, (bijv. koude vrachtwagen naar warme, vochtige balzaal) kan er condensvorming optreden op de elektronica van het product. Om storingen te vermijden moet het product volledig kunnen acclimatiseren aan de omgeving voordat het op stroom wordt aangesloten.
- LET OP: De behuizing van dit product kan heet zijn wanneer het in bedrijf is.
- Monteer dit product op een plek met voldoende ventilatie, ten minste 50 cm van de aangrenzende oppervlakken.
- Plaats geen ontvlambaar materiaal binnen 50 cm van dit product als het in gebruik is of is aangesloten op het stopcontact.
- GEBRUIK een veiligheidskabel bij het boven het hoofd plaatsen van dit product.
- Dit product is bedoeld voor tijdelijk buitengebruik, niet voor installatie (IP54).
- Gebruik dit product NIET als de behuizing, lenzen of kabels beschadigd lijken.
- Sluit dit product NIET aan op een dimmer of een regelweerstand.
- Sluit dit product UITSLUITEND op een geaard en beveiligd stroomcircuit.
- Gebruik UITSLUITEND de montagebeugels of de hendels om dit product te dragen. Draag het product niet aan de bewegende kop.
- Stop in het geval van ernstige operationele problemen onmiddellijk met het gebruik.
- De maximale omgevingstemperatuur bedraagt 45 °C. Gebruik dit product niet bij hogere temperaturen.

Contact

Van buiten de VS, Verenigd Koninkrijk, Ierland, Benelux, Frankrijk, Duitsland of Mexico kunt u contact opnemen met de distributeur of om ondersteuning vragen dan wel het product retourneren. Raadpleeg [Contact Us](#) aan het einde van deze BH voor contactinformatie.

Wat is inbegrepen

- Rogue Outcast 1 Hybrid
- Seetronic Powerkon IP65 stroomsnoer
- 2 Omega-beugel met bevestigingsmateriaal
- Beknopte handleiding

AC-stroom

Dit product heeft een voeding met automatisch bereik die werkt met een ingangsspanning van 100–240 VAC, 50/60 Hz.

AC-stekker

Aansluiting	Snoer (VS)	Snoer (Europa)	Schroefkleur
AC Live	Zwart	Bruin	Geel/messing
AC Neutraal	Wit	Blauw	Zilver
AC Aarde	Groen/geel	Groen/geel	Groen



Om onnodige slijtage te elimineren en zijn levensduur te verlengen, gedurende perioden wanneer het product niet wordt gebruikt, moet u het product van de stroom afsluiten door een aardlekschakelaar om te zetten of door het te ontkoppelen.

De zekering vervangen

1. Ontkoppel dit product van de stroom.
2. Gebruik een platkopschroevendraaier en schroef de kap van de zekeringhouder los van de behuizing.
3. Verwijder de doorgebrande zekering en vervang het met een werkende zekering van hetzelfde type en met dezelfde waarde (T 8 A, 250 V).
4. Schroef de kap van de zekeringhouder terug en steek de stekker er weer in.

DMX-koppeling

De Rogue Outcast 1 Hybrid kan met een DMX-controller werken met een 5-pins IP-gleclassificeerde DMX seriële verbinding. Op www.chauvetprofessional.com is een DMX basishandleiding verkrijgbaar.

DMX-aansluiting

De Rogue Outcast 1 Hybrid gebruikt een 5-pins IP-gleclassificeerde DMX-gegevensverbinding voor zijn DMX-persoonlijkheden: **20CH** en **25CH**. Zie de gebruikershandleiding om te verbinden en te configureren voor DMX-werking.

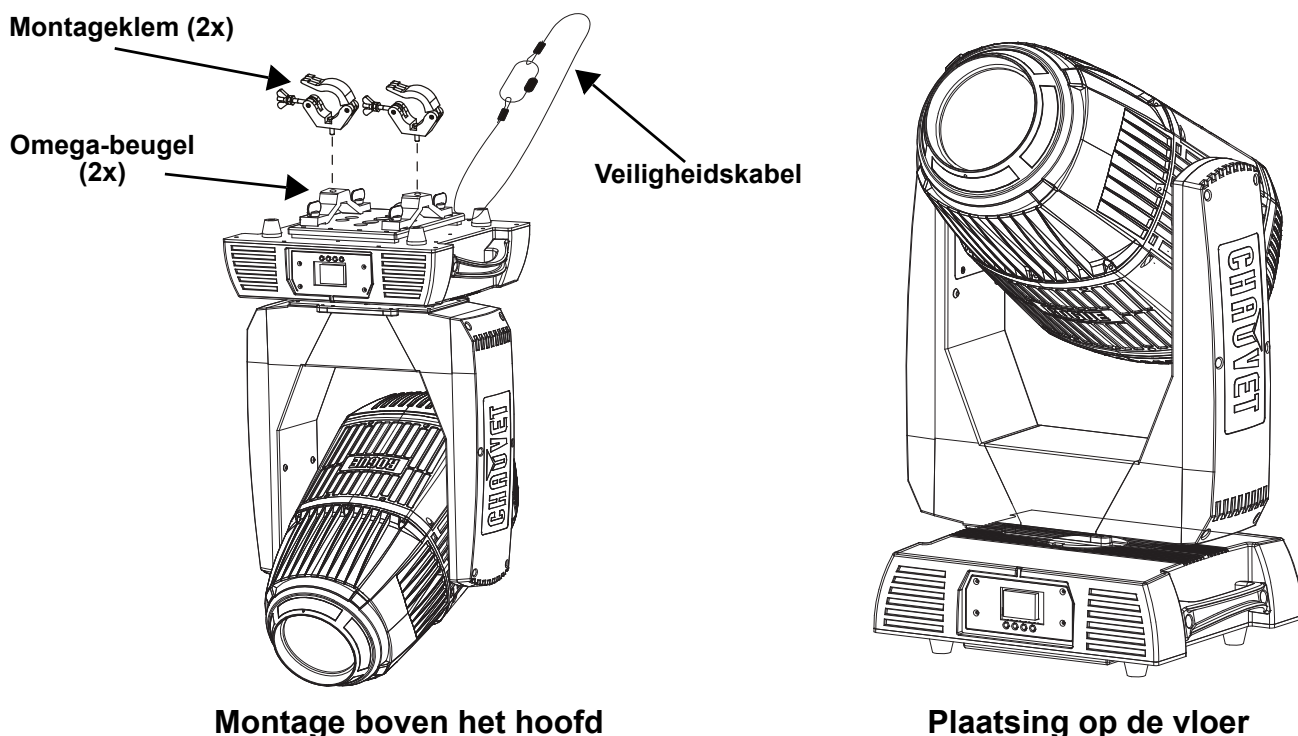
RDM (apparaatbeheer op afstand)

Remote Device Management of RDM (apparaatbeheer op afstand) is een standaard die het voor DMX-apparaten mogelijk maakt om in twee richtingen te communiceren over bestaande DMX-kabels. De Rogue Outcast 1 Hybrid ondersteunt het RDM-protocol dat zorgt feedback toelaat bij de bewaking van wijzigingen aan de menu map-opties van. Download de gebruikershandleiding op www.chauvetprofessional.com voor meer informatie.

Montage

Lees alvorens dit product te monteren alle [Veiligheidsinstructies](#). Gebruik ten minste één montagepunt per product. Controleer of de montageklem het gewicht van het product kan dragen. Ga voor onze Chauvet-serie montageklemmen naar <http://trusst.com/productcategory/truss-clamps/>.

Montagediagram van het product



Beschrijving bedieningspaneel

Toet	Functie
<MENU>	Sluit het huidige menu of functie af
<ENTER>	Activeert het huidige getoonde menu of plaatst de huidige geselecteerde waarde in de geselecteerde functie
<UP>	Navigeert omhoog via het menu of verhoogt de numerieke waarde wanneer in een functie
<DOWN>	Navigeert omlaag via het menu of verlaagt de numerieke waarde wanneer in een functie

Menumap

Hoofdniveau	Programmeerniveaus		Beschrijving	
Address	001–512		Stelt het startadres in	
Run Mode	DMX	20CH	Selecteert de DMX-persoonlijkheid	
		25CH		
	Auto Test		Test alle functies automatisch	
	Manual Test	0–255	Pan	Test en regel alle instellingen handmatig via het bedieningspaneel
			Pan Fine	
			Tilt	
			Tilt Fine	
			P/T Speed	
			Dimmer	
			Dimmer Fine	
Shutter				
Color				
Gobo 2				
Gobo				
Gobo Rotate				
Focus				
Focus Fine				
Zoom				
Zoom Fine				
Prism1				
Prism1 Rotate				
Prism2				
Prism2 Rotate				
Frost1				
Frost2				
P/T Macro				
P/T Ma. Speed				
Special Function				
Setup	Pan Reverse	YES	Omgekeerde zwenkbediening	
		NO	Normale zwenkbediening	
	Tilt Reverse	YES	Omgekeerde kantelbediening	
		NO	Normale kantelbediening	
	Screen Reverse	YES	Display in ondersteboven oriëntatie	
		NO	Display in normale oriëntatie	
		AUT	Display in automatische oriëntatie	
	Pan Angle	540	540° zwenkhoekbereik	
		360	360° zwenkhoekbereik	
		180	180° zwenkhoekbereik	
	Tilt Angle	260	260° kantelhoekbereik	
		180	180° kantelhoekbereik	
90		90° kantelhoekbereik		

Hoofdniveau	Programmeerniveaus		Beschrijving	
Setup (voortzetting)	BL. O. P/T Move	YES	Verduisteren tijdens kantelen/zwenken	
		NO	Niet verduisteren tijdens kantelen/zwenken	
	BL. O. Color Move	YES	Verduisteren tijdens kleurenwiel beweegt	
		NO	Niet verduisteren tijdens kleurenwiel beweegt	
	BL. O. Gobo Move	YES	Verduisteren tijdens gobowielen beweegt	
		NO	Niet verduisteren tijdens gobowielen beweegt	
	Lamp Settings	On/Off	YES	Schakelt lamp aan/uit
			NO	
		State/Power On	YES	Definieert de lampstatus bij het inschakelen van het product
			NO	
		Off via DMX	YES	Schakelt het apparaat uit via de DMX-controller
			NO	
		On if DMX On	YES	Schakelt de lamp aan wanneer het DMX-sigitaal is gedetecteerd
			NO	
	Off if DMX Off	YES	Schakelt de lamp uit wanneer het DMX-sigitaal is verbroken	
		NO		
	Ignition Delay	0-255	Kiest de vertragsduur tussen inschakeling van het product en inschakeling van de lamp	
	Low Power Delay	0-255	Kiest de vertragsduur wanneer de sluitersloten en de lamp naar een toestand van laag vermogen gaan	
	Reset Lamp Time	YES	Reset de lamptijd naar 0	
		NO	Laat de lamptijd ongewijzigd	
Maintenance Timer	Interval	10-250	Definieert aantal uren tussen onderhoud	
	Remaining Time	10-250	Toont hoeveelheid tijd die nog overblijft in de onderhoudscyclus	
Reset Function	Pan/Tilt	YES/NO	Reset individuele functies of alle functies vanaf het opstarten	
	Shutter/Prism			
	Color			
	Gobo			
	Zoom/ Frost/ Focus			
All				
Factory Settings	YES	Reset naar standaard fabrieksinstellingen		
	NO			
Sys Info	Display Ver	V_	Toont de displayversie	
	PanTilt Ver	V_	Toont pan/tilt-versie	
	Prism Ver	V_	Toont de versie van het prisma	
	Gobo Ver	V_	Toont gobo-versie	
	Other Ver	V_	Toont andere versie	
	Running Mode	---	Toont de huidige	
	DMX Address	---	Toont het huidige DMX-adres	
	Lamp On Time	----	Toont lamp op tijd	
	Remain Time	----	Toont lamponderhoudstijd	
	Temperature1	---	Toont de producttemperatuur in graden °C	
	Temperature2	---		
	Voltage	---	Toont lampspanning	
	Current	---	Toont lampstroom	
	Power	---	Toont lampvermogen	
	Fan Speed	---	Toont ventilatorsnelheid	
	Fan 1-5	---	Toont snelheid van ventilator 1-5	
UID	-----	Toont UID-informatie		

DMX-waarden
25CH

Kanaal	Functie	Waarde	Percentage/instelling
1	Zwenken	000 ⇔ 255	0–100%
2	Fijn zwenken	000 ⇔ 255	Fijne controle (16-bits)
3	Kantelen	000 ⇔ 255	0–100%
4	Fijn kantelen	000 ⇔ 255	Fijne controle (16-bits)
5	Zwenk-/kantelsnelheid	000 ⇔ 255	Snel tot langzaam
6	Dimmer	000 ⇔ 255	0–100%
7	Fijne dimmer	000 ⇔ 255	Fijne controle (16-bits)
8	Sluiter	000 ⇔ 007	Geen functie
		008 ⇔ 015	Open
		016 ⇔ 131	Gesynchroniseerde stroboscoop, langzaam tot snel
		132 ⇔ 167	Snel sluiten, langzaam open (langzaam tot snel)
		168 ⇔ 203	Langzaam sluiten, snel open (langzaam tot snel)
		204 ⇔ 239	Pulseffect, langzaam tot snel
		240 ⇔ 247	Willekeurig effect van langzaam tot snel
9	Kleurenwiel	248 ⇔ 255	Open
		000 ⇔ 003	Open
		004 ⇔ 007	Rood
		008 ⇔ 011	Orange
		012 ⇔ 015	Cyaan
		016 ⇔ 019	Lichtgroen
		020 ⇔ 023	Lichtgeel
		024 ⇔ 027	Groen
		028 ⇔ 031	Magenta
		032 ⇔ 035	Donkerblauw
		036 ⇔ 039	Donkergeel
		040 ⇔ 043	Blauw
		044 ⇔ 047	CTO 5600K
		048 ⇔ 051	CTO 6500K
		052 ⇔ 059	UV
060 ⇔ 187	Gespleten kleuren		
188 ⇔ 219	Kleurwijziging met de klok mee, snel tot langzaam		
220 ⇔ 223	Stop		
224 ⇔ 255	Kleurwijziging tegen de klok in, langzaam tot snel		
10	Gobowiel 1 (zie Gobowielen)	000 ⇔ 003	Open
		004 ⇔ 006	Gobo 1
		007 ⇔ 009	Gobo 2
		010 ⇔ 012	Gobo 3
		013 ⇔ 015	Gobo 4
		016 ⇔ 018	Gobo 5
		019 ⇔ 021	Gobo 6
		022 ⇔ 024	Gobo 7
		025 ⇔ 027	Gobo 8
		028 ⇔ 030	Gobo 9
		031 ⇔ 033	Gobo 10
		034 ⇔ 036	Gobo 11
		037 ⇔ 039	Gobo 12
		040 ⇔ 042	Gobo 13
		043 ⇔ 059	Open

Kanaal	Functie	Waarde	Percentage/instelling
10	Gobowiel 1 (voortzetting)	060 ⇄ 063	Gobo 1 schudden, langzaam tot snel
		064 ⇄ 067	Gobo 2 schudden, langzaam tot snel
		068 ⇄ 071	Gobo 3 schudden, langzaam tot snel
		072 ⇄ 075	Gobo 4 schudden, langzaam tot snel
		076 ⇄ 079	Gobo 5 schudden, langzaam tot snel
		080 ⇄ 083	Gobo 6 schudden, langzaam tot snel
		084 ⇄ 087	Gobo 7 schudden, langzaam tot snel
		088 ⇄ 091	Gobo 8 schudden, langzaam tot snel
		092 ⇄ 095	Gobo 9 schudden, langzaam tot snel
		096 ⇄ 099	Gobo 10 schudden, langzaam tot snel
		100 ⇄ 103	Gobo 11 schudden, langzaam tot snel
		104 ⇄ 107	Gobo 12 schudden, langzaam tot snel
		108 ⇄ 111	Gobo 13 schudden, langzaam tot snel
		112 ⇄ 127	Open
		128 ⇄ 189	Gobowijziging met de klok mee, snel tot langzaam
		190 ⇄ 193	Stop
194 ⇄ 255	Gobowijziging tegen de klok in, langzaam tot snel		
11	Gobowiel 2 (zie Gobowielen)	001 ⇄ 005	Open (opening ingesteld naar spotmodus)
		006 ⇄ 011	Gobo 1
		012 ⇄ 017	Gobo 2
		018 ⇄ 023	Gobo 3
		024 ⇄ 029	Gobo 4
		030 ⇄ 035	Gobo 5
		036 ⇄ 041	Gobo 6
		042 ⇄ 047	Gobo 7
		048 ⇄ 053	Gobo 8
		054 ⇄ 063	Gobo 9
		064 ⇄ 073	Gobo 1 schudden, langzaam tot snel
		074 ⇄ 079	Gobo 2 schudden, langzaam tot snel
		080 ⇄ 085	Gobo 3 schudden, langzaam tot snel
		086 ⇄ 091	Gobo 4 schudden, langzaam tot snel
		092 ⇄ 097	Gobo 5 schudden, langzaam tot snel
		098 ⇄ 103	Gobo 6 schudden, langzaam tot snel
		104 ⇄ 109	Gobo 7 schudden, langzaam tot snel
		110 ⇄ 115	Gobo 8 schudden, langzaam tot snel
		116 ⇄ 121	Gobo 9 schudden, langzaam tot snel
		122 ⇄ 127	Open
128 ⇄ 191	Gobowijziging met de klok mee, snel tot langzaam		
192 ⇄ 255	Gobowijziging tegen de klok in, langzaam tot snel		
12	Gobowiel 2 rotatie	000 ⇄ 063	Gobo index
		064 ⇄ 147	Rotatie met de klok mee, langzaam tot snel
		148 ⇄ 231	Rotatie tegen de klok in, snel tot langzaam
		232 ⇄ 255	Rotatie met de klok mee/rotatie tegen de klok in
13	Focus	000 ⇄ 255	0–100%
14	Fijne focus	000 ⇄ 255	Fijne controle (16-bits)
15	Zoom	000 ⇄ 255	0–100%
16	Fijne zoom	000 ⇄ 255	Fijne controle (16-bits)
17	Prisma 1	000 ⇄ 004	Geen functie
		005 ⇄ 255	Inzetstuk van het prisma
18	Prisma 1 roteren	000 ⇄ 127	Prisma-index
		128 ⇄ 189	Rotatie met de klok mee, snel tot langzaam
		190 ⇄ 193	Stop
		194 ⇄ 255	Rotatie tegen de klok in, langzaam tot snel

Kanaal	Functie	Waarde	Percentage/instelling
19	Prisma 2	000 ⇔ 004 005 ⇔ 255	Geen functie Prisma-index
20	Prisma 2 roteren	000 ⇔ 127 128 ⇔ 189 190 ⇔ 193 194 ⇔ 255	Prisma-index Rotatie met de klok mee, snel tot langzaam Stop Rotatie tegen de klok in, langzaam tot snel
21	Frost	000 ⇔ 255	0–100%
22	Straaldefractie	000 ⇔ 007 008 ⇔ 255	Geen functie Frost effect
23	Bewegingsmacro's	000 ⇔ 007 008 ⇔ 015 016 ⇔ 023 024 ⇔ 031 032 ⇔ 039 040 ⇔ 047 048 ⇔ 055 056 ⇔ 063 064 ⇔ 071 072 ⇔ 079 080 ⇔ 087 088 ⇔ 095 096 ⇔ 103 104 ⇔ 111 112 ⇔ 119 120 ⇔ 127 128 ⇔ 135 136 ⇔ 143 144 ⇔ 151 152 ⇔ 159 160 ⇔ 167 168 ⇔ 175 176 ⇔ 183 184 ⇔ 191 192 ⇔ 199 200 ⇔ 207 208 ⇔ 215 216 ⇔ 223 224 ⇔ 231 232 ⇔ 239 240 ⇔ 247 248 ⇔ 255	Geen functie Effect 1 Effect 2 Effect 3 Effect 4 Effect 5 Effect 6 Effect 7 Effect 8 Effect 9 Effect 10 Effect 11 Effect 12 Effect 13 Effect 14 Effect 15 Effect 16 Effect 17 Effect 18 Effect 19 Effect 20 Effect 21 Effect 22 Effect 23 Effect 24 Effect 25 Effect 26 Effect 27 Effect 28 Effect 29 Effect 30 Effect 31
24	Beweging macrosnelheid	000 ⇔ 255	Snel tot langzaam

Kanaal	Functie	Waarde	Percentage/instelling
25	Regeling (3 sec vasthouden)	000 ⇔ 009	Geen functie
		010 ⇔ 019	Ventilator ontdooien aan, langzaam tot snel
		020 ⇔ 029	Ventilator ontdooien uit
		030 ⇔ 039	Conventionele modus van de dimmer
		040 ⇔ 049	Lineaire modus van de dimmer
		050 ⇔ 059	Zwenken/kantelen snelle modus
		060 ⇔ 069	Zwenken/kantelen normale modus
		070 ⇔ 079	Verduistering tijdens zwenken/kantelen
		080 ⇔ 089	Uitschakelen zwenk-/kantelverduistering
		090 ⇔ 099	Verduistering van kleurwielbeweging
		100 ⇔ 109	Uitschakelen kleurwielverduistering
		110 ⇔ 119	Verduistering van beweging van gobowielen
		120 ⇔ 129	Uitschakelen gobowielverduistering
		130 ⇔ 139	Lamp aan
		140 ⇔ 149	Resetten zwenken/kantelen
		150 ⇔ 159	Kleurwiel reset
		160 ⇔ 169	Gobowiel reset
		170 ⇔ 179	Resetten sluiters/prisma
		180 ⇔ 189	Geen functie
		190 ⇔ 199	Frost/focus/zoom reset
		200 ⇔ 209	Reset alle
		210 ⇔ 219	Alle functies verduisteren tijdens zwenken/kantelen
		220 ⇔ 229	Alle functies verduisteren uitschakelen tijdens zwenken/kantelen
		230 ⇔ 239	Lamp uit
		240 ⇔ 247	Pan/tilt soepele modus aan
		248 ⇔ 255	Pan/tilt soepele modus uit

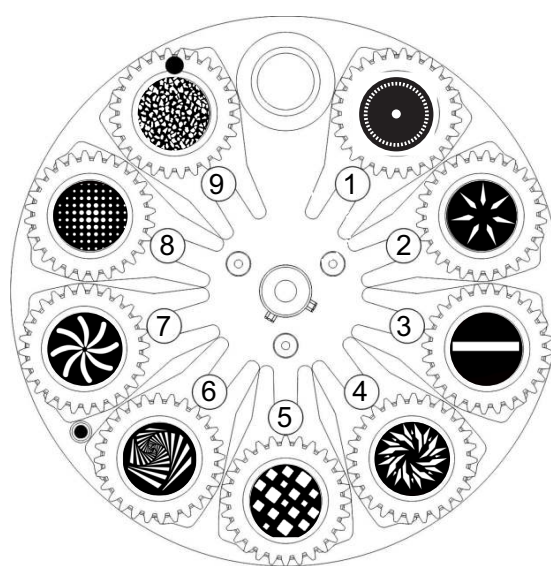
20CH

Kanaal	Functie	Waarde	Percentage/instelling
1	Zwenken	000 ⇔ 255	0–100%
2	Fijn zwenken	000 ⇔ 255	Fijne controle (16-bits)
3	Kantelen	000 ⇔ 255	0–100%
4	Fijn kantelen	000 ⇔ 255	Fijne controle (16-bits)
5	Zwenk-/kantelsnelheid	000 ⇔ 255	Snel tot langzaam
6	Dimmer	000 ⇔ 255	0–100%
7	Sluiter	000 ⇔ 007	Geen functie
		008 ⇔ 015	Open
		016 ⇔ 131	Gesynchroniseerde stroboscoop, langzaam tot snel
		132 ⇔ 167	Snel sluiten, langzaam open (langzaam tot snel)
		168 ⇔ 203	Langzaam sluiten, snel open (langzaam tot snel)
		204 ⇔ 239	Pulseffect, langzaam tot snel
		240 ⇔ 247	Willekeurig effect van langzaam tot snel
248 ⇔ 255	Open		
8	Kleurenwiel	000 ⇔ 003	Open
		004 ⇔ 007	Rood
		008 ⇔ 011	Orange
		012 ⇔ 015	Cyaan
		016 ⇔ 019	Lichtgroen
		020 ⇔ 023	Lichtgeel
		024 ⇔ 027	Groen
		028 ⇔ 031	Magenta
		032 ⇔ 035	Donkerblauw
		036 ⇔ 039	Donkergeel
		040 ⇔ 043	Blauw
		044 ⇔ 047	CTO 5600K
		048 ⇔ 051	CTO 6500K
		052 ⇔ 059	UV
060 ⇔ 187	Gespleten kleuren		
188 ⇔ 219	Kleurwijziging met de klok mee, snel tot langzaam		
220 ⇔ 223	Stop		
224 ⇔ 255	Kleurwijziging tegen de klok in, langzaam tot snel		
9	Gobowiel 1 (zie Gobowielen)	000 ⇔ 003	Open
		004 ⇔ 006	Gobo 1
		007 ⇔ 009	Gobo 2
		010 ⇔ 012	Gobo 3
		013 ⇔ 015	Gobo 4
		016 ⇔ 018	Gobo 5
		019 ⇔ 021	Gobo 6
		022 ⇔ 024	Gobo 7
		025 ⇔ 027	Gobo 8
		028 ⇔ 030	Gobo 9
		031 ⇔ 033	Gobo 10
		034 ⇔ 036	Gobo 11
		037 ⇔ 039	Gobo 12
		040 ⇔ 042	Gobo 13
		043 ⇔ 059	Open

Kanaal	Functie	Waarde	Percentage/instelling
9	Gobowiel 1 (voortzetting)	060 ⇄ 063	Gobo 1 schudden, langzaam tot snel
		064 ⇄ 067	Gobo 2 schudden, langzaam tot snel
		068 ⇄ 071	Gobo 3 schudden, langzaam tot snel
		072 ⇄ 075	Gobo 4 schudden, langzaam tot snel
		076 ⇄ 079	Gobo 5 schudden, langzaam tot snel
		080 ⇄ 083	Gobo 6 schudden, langzaam tot snel
		084 ⇄ 087	Gobo 7 schudden, langzaam tot snel
		088 ⇄ 091	Gobo 8 schudden, langzaam tot snel
		092 ⇄ 095	Gobo 9 schudden, langzaam tot snel
		096 ⇄ 099	Gobo 10 schudden, langzaam tot snel
		100 ⇄ 103	Gobo 11 schudden, langzaam tot snel
		104 ⇄ 107	Gobo 12 schudden, langzaam tot snel
		108 ⇄ 111	Gobo 13 schudden, langzaam tot snel
		112 ⇄ 127	Open
		128 ⇄ 189	Gobowijziging met de klok mee, snel tot langzaam
		190 ⇄ 193	Stop
194 ⇄ 255	Gobowijziging tegen de klok in, langzaam tot snel		
10	Gobowiel 2 (zie Gobowielen)	001 ⇄ 005	Open (opening ingesteld naar spotmodus)
		006 ⇄ 011	Gobo 1
		012 ⇄ 017	Gobo 2
		018 ⇄ 023	Gobo 3
		024 ⇄ 029	Gobo 4
		030 ⇄ 035	Gobo 5
		036 ⇄ 041	Gobo 6
		042 ⇄ 047	Gobo 7
		048 ⇄ 053	Gobo 8
		054 ⇄ 063	Gobo 9
		064 ⇄ 073	Gobo 1 schudden, langzaam tot snel
		074 ⇄ 079	Gobo 2 schudden, langzaam tot snel
		080 ⇄ 085	Gobo 3 schudden, langzaam tot snel
		086 ⇄ 091	Gobo 4 schudden, langzaam tot snel
		092 ⇄ 097	Gobo 5 schudden, langzaam tot snel
		098 ⇄ 103	Gobo 6 schudden, langzaam tot snel
		104 ⇄ 109	Gobo 7 schudden, langzaam tot snel
		110 ⇄ 115	Gobo 8 schudden, langzaam tot snel
		116 ⇄ 121	Gobo 9 schudden, langzaam tot snel
		122 ⇄ 127	Open
128 ⇄ 191	Gobowijziging met de klok mee, snel tot langzaam		
192 ⇄ 255	Gobowijziging tegen de klok in, langzaam tot snel		
11	Gobowiel 2 rotatie	000 ⇄ 063	Gobo index
		064 ⇄ 147	Rotatie met de klok mee, langzaam tot snel
		148 ⇄ 231	Rotatie tegen de klok in, snel tot langzaam
		232 ⇄ 255	Rotatie met de klok mee/rotatie tegen de klok in
12	Focus	000 ⇄ 255	0–100%
13	Zoom	000 ⇄ 255	0–100%
14	Prisma 1	000 ⇄ 004	Geen functie
		005 ⇄ 255	Inzetstuk van het prisma
15	Prisma 1 roteren	000 ⇄ 127	Prisma-index
		128 ⇄ 189	Rotatie met de klok mee, snel tot langzaam
		190 ⇄ 193	Stop
		194 ⇄ 255	Rotatie tegen de klok in, langzaam tot snel
16	Prisma 2	000 ⇄ 004	Geen functie
		005 ⇄ 255	Prisma-index

Kanaal	Functie	Waarde	Percentage/instelling
17	Prisma 2 roteren	000 ⇔ 127	Prisma-index
		128 ⇔ 189	Rotatie met de klok mee, snel tot langzaam
		190 ⇔ 193	Stop
		194 ⇔ 255	Rotatie tegen de klok in, langzaam tot snel
18	Frost	000 ⇔ 255	0–100%
19	Straaldefractie	000 ⇔ 007	Geen functie
		008 ⇔ 255	Frost effect
20	Regeling (3 sec vasthouden)	000 ⇔ 009	Geen functie
		010 ⇔ 019	Ventilator ontdooien aan, langzaam tot snel
		020 ⇔ 029	Ventilator ontdooien uit
		030 ⇔ 039	Conventionele modus van de dimmer
		040 ⇔ 049	Lineaire modus van de dimmer
		050 ⇔ 059	Zwenken/kantelen snelle modus
		060 ⇔ 069	Zwenken/kantelen normale modus
		070 ⇔ 079	Verduistering tijdens zwenken/kantelen
		080 ⇔ 089	Uitschakelen zwenk-/kantelverduistering
		090 ⇔ 099	Verduistering van kleurwielbeweging (3 sec vasthouden)
		100 ⇔ 109	Uitschakelen kleurwielverduistering (3 sec vasthouden)
		110 ⇔ 119	Verduistering van beweging van gobowielen (3 sec vasthouden)
		120 ⇔ 129	Uitschakelen gobowielverduistering (3 sec vasthouden)
		130 ⇔ 139	Lamp aan
		140 ⇔ 149	Resetten zwenken/kantelen
		150 ⇔ 159	Kleurwiel reset
		160 ⇔ 169	Gobowiel reset
		170 ⇔ 179	Resetten sluiters/prisma
		180 ⇔ 189	Geen functie
		190 ⇔ 199	Frost/focus/zoom reset
		200 ⇔ 209	Reset alle
		210 ⇔ 219	Alle functies verduisteren tijdens zwenken/kantelen
		220 ⇔ 229	Alle functies verduisteren uitschakelen tijdens zwenken/kantelen
		230 ⇔ 239	Lamp uit
		240 ⇔ 247	Pan/tilt soepele modus aan
		248 ⇔ 255	Pan/tilt soepele modus uit

Gobowielen

Gobowiel 1

Gobowiel 2

Contact Us

General Information	Technical Support
Chauvet World Headquarters	
Address: 5200 NW 108th Ave. Sunrise, FL 33351 Voice: (954) 577-4455 Fax: (954) 929-5560 Toll Free: (800) 762-1084	Voice: (844) 393-7575 Fax: (954) 756-8015 Email: chauvetcs@chauvetlighting.com Website: www.chauvetprofessional.com
Chauvet Europe Ltd.	
Address: Unit 1C Brookhill Road Industrial Estate Pinxton, Nottingham, UK NG16 6NT Voice: +44 (0) 1773 511115 Fax: +44 (0) 1773 511110	Email: UKtech@chauvetlighting.eu Website: www.chauvetprofessional.eu
Chauvet Europe BVBA	
Address: Stokstraat 18 9770 Kruishoutem Belgium Voice: +32 9 388 93 97	Email: BNLtech@chauvetlighting.eu Website: www.chauvetprofessional.eu
Chauvet France	
Address: 3, Rue Ampère 91380 Chilly-Mazarin France Voice: +33 1 78 85 33 59	Email: FRtech@chauvetlighting.fr Website: www.chauvetprofessional.eu
Chauvet Germany	
Address: Bruno-Bürgel-Str. 11 28759 Bremen Germany Voice: +49 421 62 60 20	Email: DEtech@chauvetlighting.de Website: www.chauvetprofessional.eu
Chauvet Mexico	
Address: Av. de las Partidas 34 - 3B (Entrance by Calle 2) Zona Industrial Lerma Lerma, Edo. de México, CP 52000 Voice: +52 (728) 690-2010	Email: servicio@chauvet.com.mx Website: www.chauvetprofessional.mx

Visit the applicable website above to verify our contact information and instructions to request support. Outside the U.S., U.K., Ireland, Mexico, France, Germany, or Benelux, contact the dealer of record.



UL 1573
CSA C22.2 No. 166
E113093



RoHS

